

NOTE:

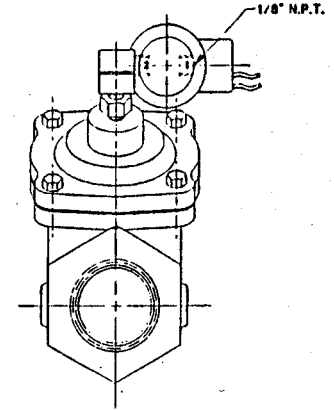
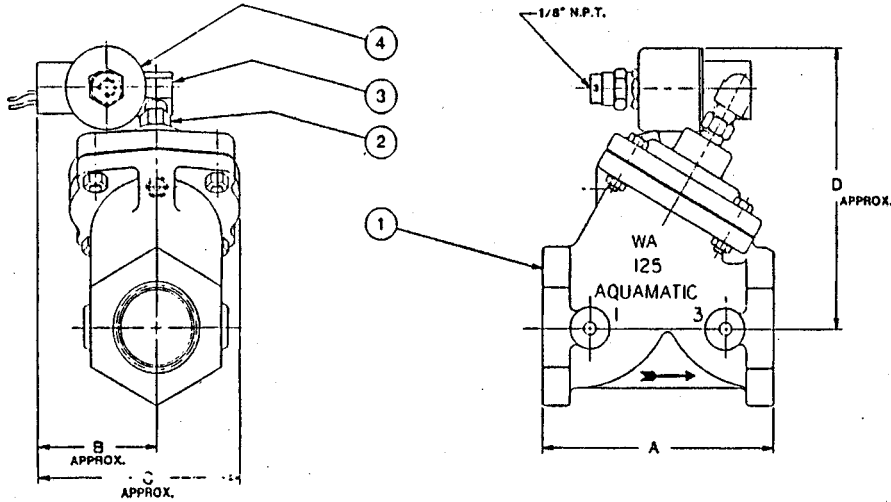
UNLESS OTHERWISE SPECIFIED:

1 > DIMENSIONS ARE NOMINAL EXCEPT WHERE TOLERANCED.

2 > B.S.P.T. AVAILABLE UPON REQUEST.

3 > DIAPHRAGM VALVE - NORMALLY OPEN, PRESSURE TO CLOSE.

ITEM	DESCRIPTION	PART NO.
1	DIAPHRAGM VALVE (SEE NOTE 3)	SEE TAB
2	NIPPLE (1/4" HEX)	S10-CM
3	STREET ELBOW (1/4" F. X 1/8" M.)	J48-Z
4	SOLENOID (NEMA 1 ENCLOSURE)	110 V. 60 HZ. C4H470
		220 V. 50 HZ. C48M1150V
		24 V. 60 HZ. C48M1150VV



INDEPENDENT CONTROL PRESSURE

ENERGIZE TO OPEN
 APPLY CONTROL PRESSURE AT SOLENOID PORT NO. 3
 (PORT NO. 1 VENTED)

ENERGIZE TO CLOSE
 APPLY CONTROL PRESSURE AT SOLENOID PORT NO. 1
 (PORT NO. 3 VENTED)

CONTROL PRESSURE MUST BE EQUAL TO OR GREATER
 THAN LINE PRESSURE.

INCHES
 MILLIMETERS

SERIES AM3511

Aquamatic

SOLENOID OPERATED
 MADE IN U.S.A.
 W.M.W.P. 4-28-68 10-3500-

BODY STYLZ	①	VALVE NUMBER	PIPE SIZE	A	B	C	D
SCREWED	421S	AM3511-3	3/4	3.888 94	2.438 62	3.819 97	4.829 117
		AM3511-4	1				
	424S	AM3511-5	1 1/4	4.750 121	2.438 62	4.190 107	3.375 127
		AM3511-6	1 1/2				
	425S	AM3511-R	2	8.422 188	3.888 68	5.375 137	6.750 121
	426S	AM3511-8A	2	7.375 187	3.888 78	8.125 158	7.082 179
AM3511-10		2 1/2					
427S	AM3511-12	3	8.090 229	3.875 92	7.350 184	7.812 188	
FLANGED	427F	AM3511-12F	3	10.425 274			
		AM3511-14F	4	11.710 296	4.375 111	7.750 222	9.583 243