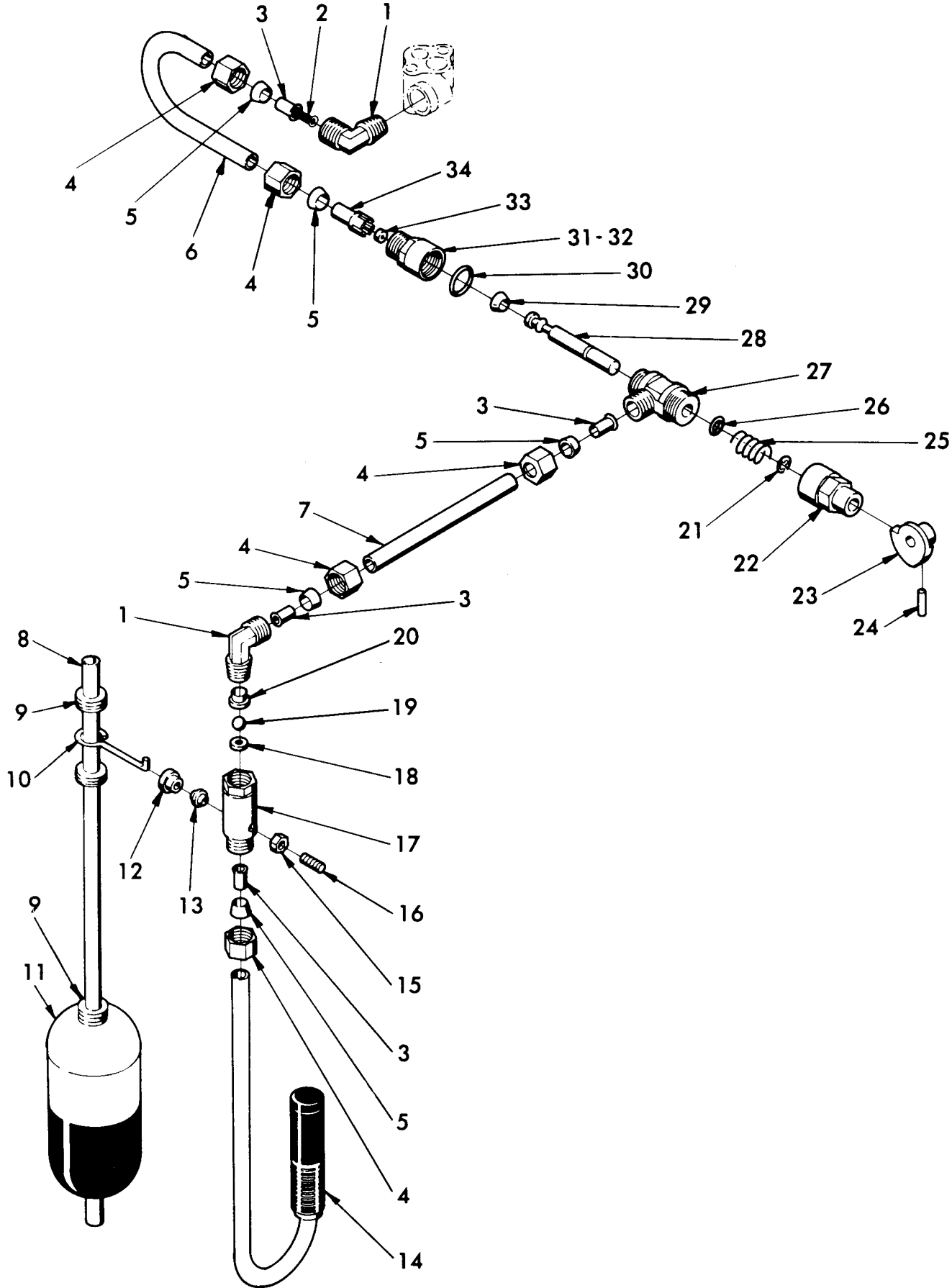


BRINE SYSTEM ASSEMBLY



BRINE SYSTEM ASSEMBLY

PARTS LIST

DWG. NO. A-12877

ITEM NO.	NO. REQ'D.	PART NO.	DESCRIPTION
1	2	10328	90° Elbow - 1/4 Pipe Thd. To 3/8 Tube
2	1	12767	Brine Line Screen
3	4	10332	Insert Sleeve (3/8 Tube)
4	5	10329	Fitting Nut (3/8 Tube)
5	5	10330	Delrin Sleeve (3/8 Tube)
6	1	12774	Brine Valve Tube
7	1	Not Supplied	Brine Line Tube (3/8 O.D. Flexible Tube-Length To Suit).
8	1	10149	Float Rod
9	4	10150	Grommet
10	1	10676	Actuator Rod
11	1	10700	Float
12	1	10670	Retainer Bushing
13	1	10675	Diaphragm
14	1	No. 500	Air Check Tube Assembly
15	1	10186	Hex Nut
16	1	10185	Holding Stud
17	1	11942	Brine Tank Safety Valve Body
18	1	10671	Valve Seat
19	1	10138	3/8 Dia. Ball - Monel
20	1	11566	Ball Stop
21	1	10250	Retaining Ring
22	1	11749	Stem Guide
23	1	10815	Brine Valve Cam
24	1	10338	Drive Roll Pin
25	1	10249	Brine Valve Spring
26	1	12550	Quad Ring
27	1	12748	Brine Valve Body
28	1	12552	Brine Valve Stem
29	1	12626	Brine Valve Seat
30	1	11982	"O" Ring
*31	1	12747	Flow Control Fitting
*32			Flow Control Label
*33	1		Flow Control Washer (Specify Flow Rate In G.P.M.)
*34	1	12098	Flow Control Retainer

*These Parts Are Furnished Assembled Together As A Brine Line Flow Control (BLFC)

L. W. FLECKENSTEIN, INC.

20580 Enterprise Avenue

Brookfield, Wisconsin 53005

FLECK

BRINE VALVE

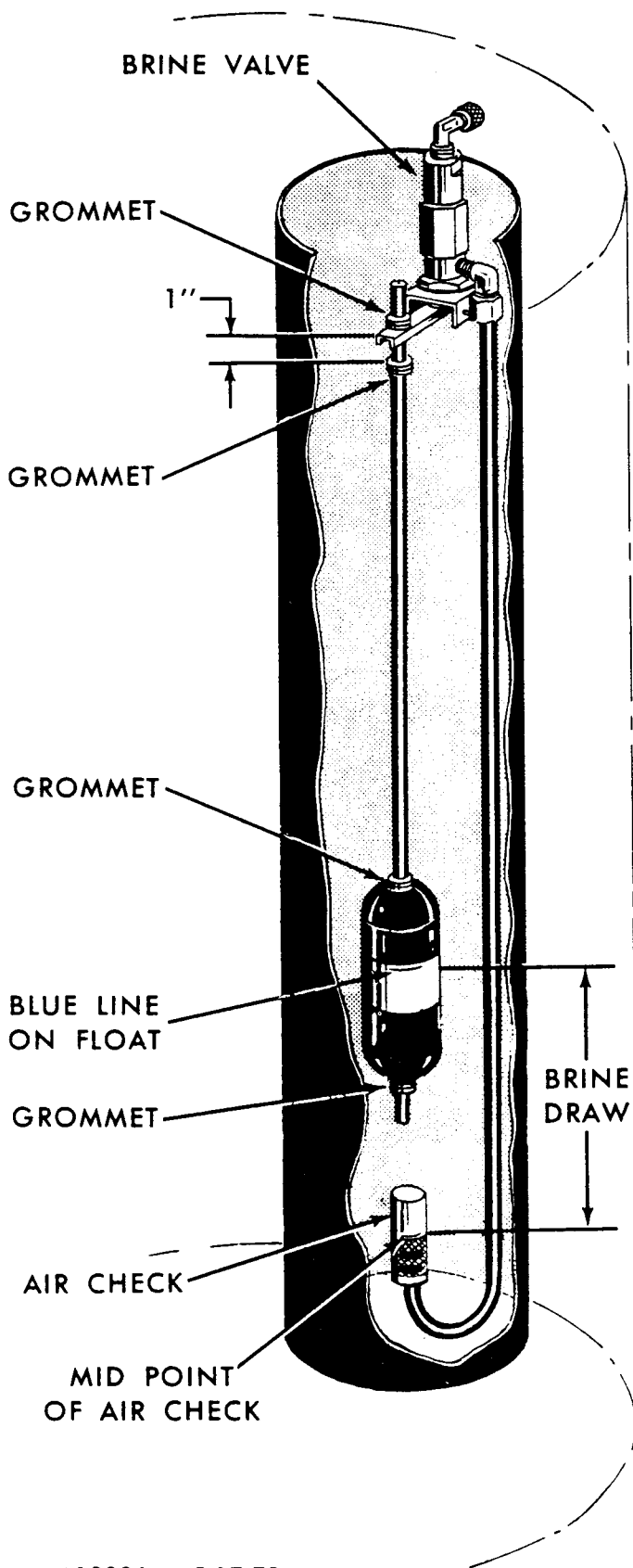
MODEL 400 A BRINE VALVE MODEL 500 AIR CHECK

The "Fleck" Brine Valve is essentially a lever operated ball check incorporating a fill rate control. The reliability of the valve rests in the quality of the parts, and the simplicity of the operation. The seal is a Monel ball on an O/Ring seat. The all brass construction makes the valve a long lasting stable unit.

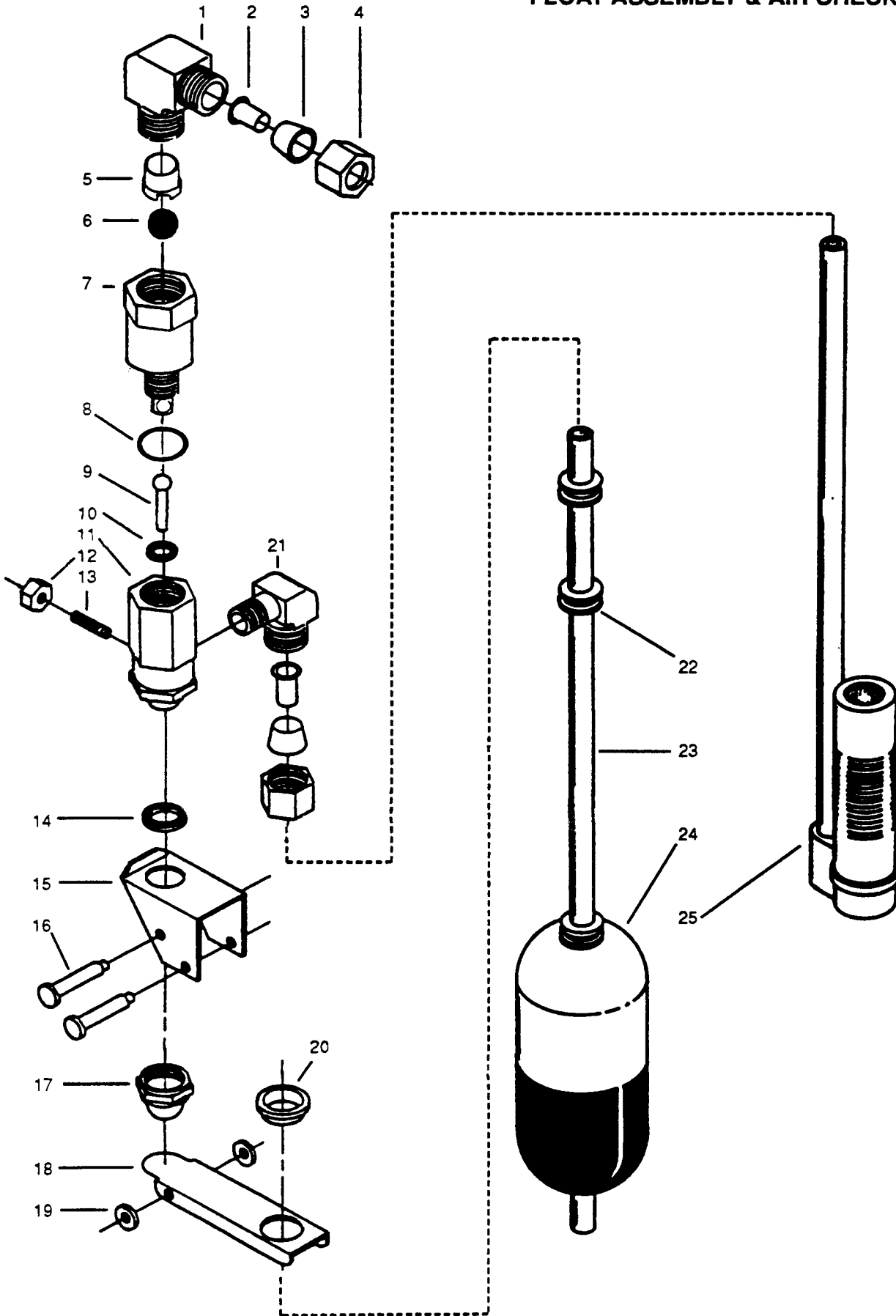
The Monel ball is a simple, solid solution alloy, and is therefore free from such types of corrosion as sometimes result from local galvanic effects between phases of multiphase alloys. The closeness of brass and Monel in the electromotive series also avoids the redeposition of the valve metals. Monel has long been a sea-going metal, due to its resistance to salt water.

INSTALLATION HINTS (See Sketch)

1. Mount brine valve vertically with mounting screw.
2. Float adjustment is made with the top two grommets. Note the 1" distance between the two top grommets. This is very important.
3. Brine draw is measured from the mid point of the air check to the blue line on the float. This measurement should be made when the weighted float is hanging on the lever arm without any other support. This will pull the lever down as far as it will go.
4. The air check should be installed against the side of the brine well to allow adequate space for the float.
5. Caution should be exercised in cutting off the excess float rod above the lever arm so that the cover on the brine tank does not push the float rod down.
6. This valve can be operated without the air check and will thus draw air. A screened intake is recommended and available to be used in place of the air check.



**MODEL 400 A BRINE VALVE WITH
FLOAT ASSEMBLY & AIR CHECK**



**MODEL 400 A BRINE VALVE
PARTS LIST**

ITEM NO.	NO. REQ'D.	PART NO.	DESCRIPTION
1	1	10328	Elbow, 1/4" x 3/8"
2	2	10332	Insert Sleeve
3	2	10330	Delrin Sleeve
4	2	10329	Nut, 3/8" Brass
5	1	11566	Ball Stop
6	1	10138	3/8" Dia. Ball
7	1	10180	Slow Fill Body
8	1	10181	O-Ring - 110
9	1	10182	Check Ball & Stem
10	1	10141	O-Ring - 010
11	1	10179	Valve Body, 400 A
12	1	10186	Nylon Nut, 10-32
13	1	10185	Holding Stud, 10-32 x 5/8"
14	1	13771	O-Ring - 012
15	1	10183	Arm Support
16	2	10187	Arm Pin
17	1	10145	Bottom Seal
18	1	10184	Arm
19	2	13127	Washer, Polyethylene
20	1	12964	Arm Bushing
21	1	10188	Elbow, 1/8" x 3/8"

400 A ASSEMBLY COMPLETE - #60025-FFA OR FFS

**FLOAT ASSEMBLY
PARTS LIST**

22	4	10150	Grommet, EPT
23	1	10149	Float Rod, 30"
24	1	11154	Float, Red & White

FLOAT ASSEMBLY COMPLETE - #60026

25	1	60002	#500 Air Check
----	---	-------	----------------