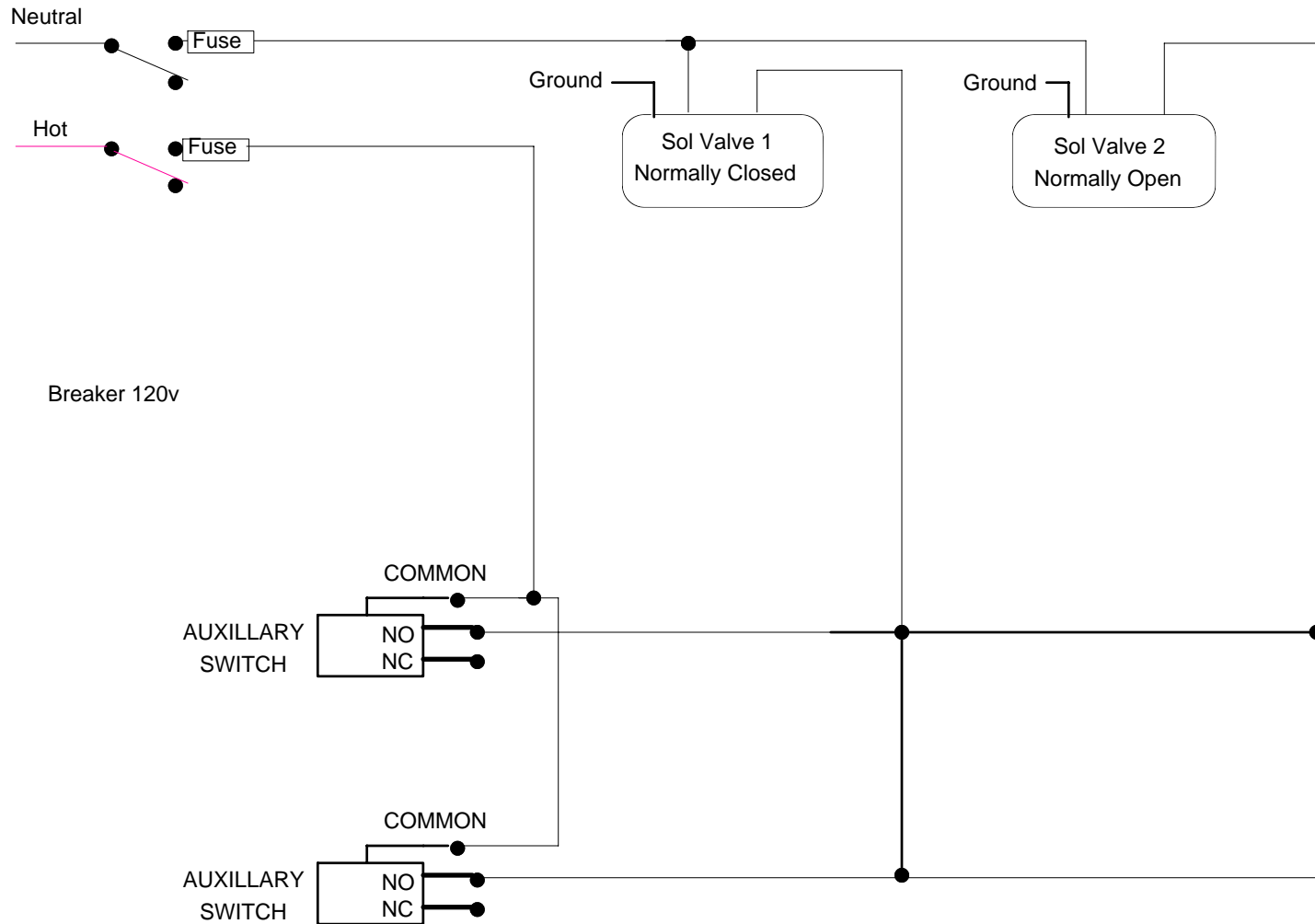


FLECK AUX SWITCH WIRING DIAGRAM



831.462.8500 FAX: 831.476.0832
 info@cleanwatersstore.com www.cleanwatersstore.com
 2806-C Soquel Ave Santa Cruz, CA 95062

JOB:
 DATE:
 CHECK:
 DRAWING ID: 003491

Notes: Solenoid Valve 1 allows water in from the booster pump to backwash the filters. Solenoid Valve 2 is normally open, and closes when either filter (or softener) go into a backwash. A ground and neutral wire is connected to each solenoid valve. A single hot wire from the breaker panel runs through the normally open terminal on the auxiliary switches. When a backwash starts the aux switch closes and allows current to flow to the solenoid valves, opening Valve1 and closing Valve 2.