

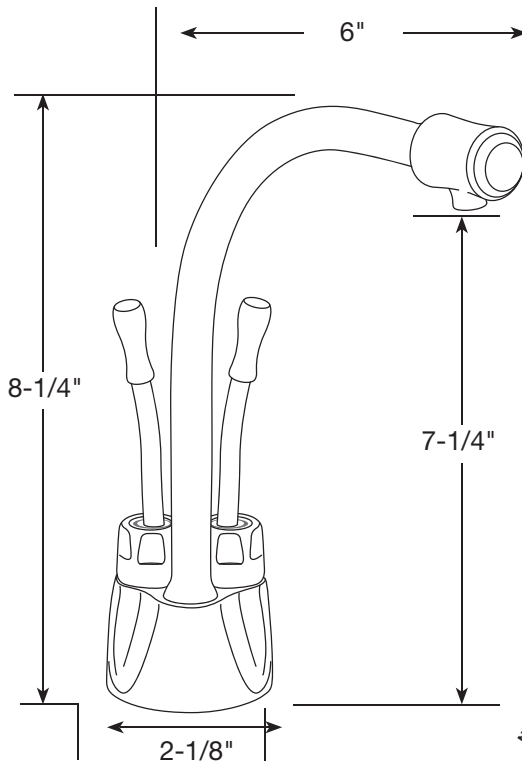
MODEL	DESCRIPTION	FINISH	PART #	LIST PRICE
DISTINCTIVE SERIES LVH1200	EverHot Lead Free Hot/Cold Water Dispenser	FAUCET & EVERHOT TANK		
HOT/COLD	Shipping Wt: 12 lbs.	CHROME	WI-LVH1200HC-CH	\$746.95
	Includes faucet, EverHot tank, 3' cord & tubing.	SPECIAL		
	Distinctive series • adjustable flow control with spring activated shut-off for filling pitchers and pots • built-in aerator	SATIN NICKEL-PVD	WI-LVH1200HC-SN	\$819.95
	Certified to NSF/ANSI Standard 61 and California Proposition 65.	PREMIUM		
	Chiller sold separately (see EverCold, page 77).	OIL RUBBED BRONZE	WI-LVH1200HC-ORB	\$838.95
FAUCET ONLY	Shipping Wt: 5 lbs.	FAUCET ONLY		
		CHROME	WI-FA1200HC-CH	\$438.95
		SPECIAL		
		SATIN NICKEL-PVD	WI-FA1200HC-SN	\$510.95
		PREMIUM		
		OIL RUBBED BRONZE	WI-FA1200HC-ORB	\$565.95

A separate air gap is available for reverse osmosis on this model. See pages 78 and 79.

UPGRADE SYSTEM TO A STAINLESS STEEL TANK FOR \$100.

Add **-SS** to end of part number

Dimensions:
Height: 8-1/4"
Reach: 6"
Spout Diameter: 1/2"
Hole Size Required: 1-1/4"



Meets no lead standards for CA AB 1953 and VT Act 193.

The Everhot mark is used under license from Bradford White Corp.