

LEAD FREE ACCESSORY FAUCETS

by Water Inc.

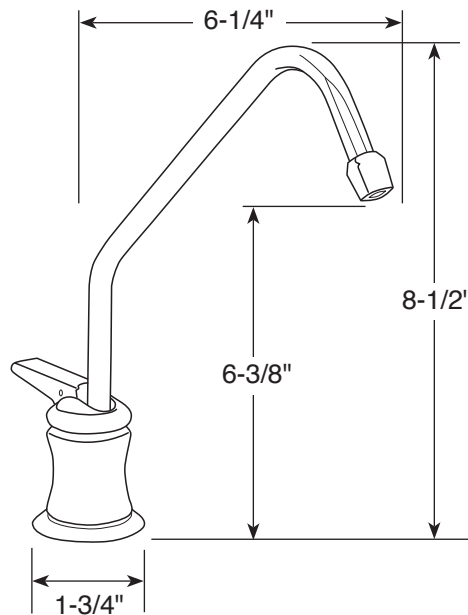


January 1, 2012

MODEL	DESCRIPTION	FINISH	PART #	LIST PRICE
LIBERTY 400 COLD ONLY WITH LONG REACH SPOUT	LIBERTY Lead Free Accessory Faucet For Filter Shipping Wt: 3 lbs. Locking lever option for filling pitchers and pots • swivel spout Certified to NSF/ANSI Standard 61 and California Proposition 65. Chiller sold separately (see EverCold, page 77).	LIBERTY Lead Free FOR FILTER		
		CHROME	WI-FA400C-CH	\$156.95
		COLOR		
		WHITE	WI-FA400C-WH	\$182.95
		SPECIAL		
		POLISHED NICKEL	WI-FA400C-PN	\$201.95
		SATIN NICKEL	WI-FA400C-SN	\$201.95
		PREMIUM		
		POLISHED COPPER	WI-FA400C-COP	\$223.95
		OIL RUBBED BRONZE	WI-FA400C-ORB	\$223.95

A separate air gap is available for reverse osmosis on this model. See pages 78 and 79.

Dimensions:
 Height: 8-1/2"
 Reach: 6-1/4"
 Spout Diameter: 1/2"
 Hole Size Required: 1/2"



Meets no lead standards for CA AB 1953 and VT Act 193.

FAUCET KIT	Part # WI-FAUCET-KIT	Shipping Wt: 2 lbs.	\$28.95
Compatible with this Water, Inc. faucet. Includes a JG 1/4 x 7/16 - 24UNS Speedfit connector, angle stop valve, teflon tape, six feet of 1/4" OD tubing, and installation instructions.			