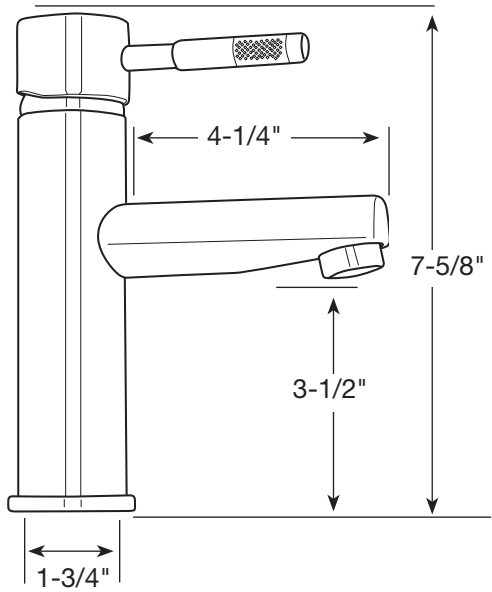


MODEL	DESCRIPTION	FINISH	PART #	LIST PRICE
MODERN SERIES LVH1000	EverHot Lead Free Hot/Cold Water Dispenser	FAUCET & EVERHOT TANK		
	Shipping Wt: 12 lbs.	CHROME	WI-LVH1000HC-CH	\$725.95
HOT/COLD	Includes faucet, EverHot tank, 3' cord & tubing.	SPECIAL		
		SATIN NICKEL	WI-LVH1000HC-SN	\$884.95
FAUCET ONLY	Modern design • adjustable flow control with 1/4 turn ceramic disc valve for filling pitchers and pots • unique single handle, slide left for hot, slide right for cold	FAUCET ONLY		
		CHROME	WI-FA1000HC-CH	\$435.95
	Certified to NSF/ANSI Standard 61 and California Proposition 65.	SPECIAL		
	Chiller sold separately (see EverCold, page 77).	SATIN NICKEL	WI-FA1000HC-SN	\$589.95
	Shipping Wt: 5 lbs.	<p>Please call for pricing on any Finish/Faucet combinations not listed.</p> <p>A separate air gap is available for reverse osmosis on this model. See pages 78 and 79.</p>		

UPGRADE SYSTEM TO A STAINLESS STEEL TANK FOR \$100.
Add **-SS** to end of part number

Dimensions:
Height: 7-5/8"
Reach: 4-1/4"
Spout Diameter: 1"
Hole Size Required: 1-1/4"



Meets no lead standards for CA AB 1953 and VT Act 193.

The Everhot mark is used under license from Bradford White Corp.