

Motorized Stainless Steel Ball Valve with Timer (AC110-230V)

Technical Parameters:

Product Size	NPT 1/2" or NPT 3/4" NPT
Maximum working pressure	140 PSI 1.0 MPa
Circulation medium	Fluid. air
Rated voltage	AC 110-230V
Valve open time (adjustable)	00:00:00 99:59:59S
Valve closed time (adjustable)	00:00:00 99:59:59S
Working current	<500MA
Life time	70000 times
Valve Body material	304 Stainless steel
Actuator material	Engineered Plastics
Sealing material	FKM & PTFE
Actuator rotation	90°
Max, torque force	2Nm
Cable Length	36" 3 meters
Max.Environment temperature	80F
Liquid temperature	36F - 190F 2°C - 90°C
Manual override	NO
Indicator	Yes
Protection class	IP67
Stall current setting	0-599mA

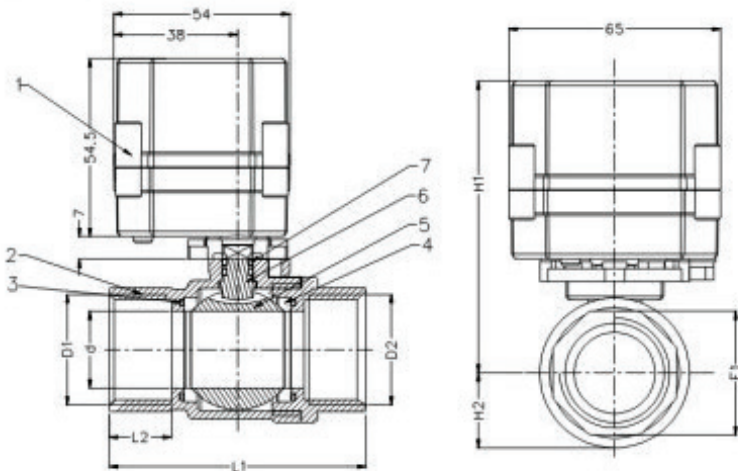


www.CleanWaterStore.com
 Santa Cruz, California USA
 1-831-462-8500



Part # V3002950 1/2" NPT
Part # V3002960 3/4" NPT

Dimension Figure



Components

NO.	NAME	Material	Specification	Quantity
1	Actuator	PPO		1
2	Body cover	Stainless steel	304	1
3	O-ring	FKM		2
4	Sealing	PTFE		2
5	Ball	Stainless steel	304	1
6	Stem	Stainless steel	304	2
7	O-ring	FKM		2