

**MODEL DESCRIPTION FINISH PART # LIST PRICE**

**TRADITIONAL SERIES LVH610** EverHot Lead Free Hot/Cold Water Dispenser  
Shipping Wt: 10 lbs.

**HOT/COLD** Traditional design • locking lever option for filling pitchers and pots • built in aerator

**WITH J-SPOUT** Includes faucet, EverHot tank, 3' cord, & tubing.  
Certified to NSF/ANSI Standard 61 and California Proposition 65.  
Chiller sold separately (see EverCold, page 77).

**FAUCET ONLY** Shipping Wt: 3 lbs.

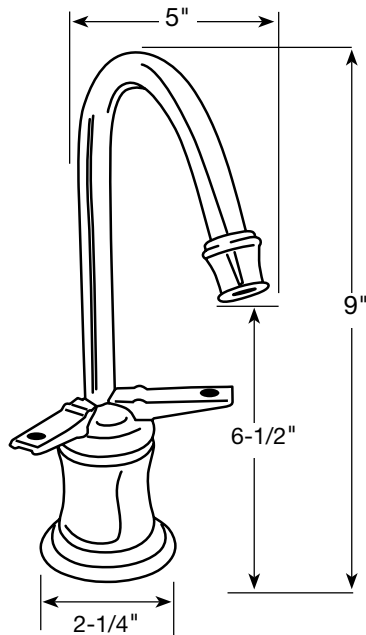
**FAUCET & EVERHOT TANK**

CHROME	WI-LVH610HC-CH	\$662.95
<b>COLOR</b>		
BISCUIT	WI-LVH610HC-BS	\$681.95
BLACK	WI-LVH610HC-BK	\$681.95
WHITE	WI-LVH610HC-WH	\$681.95
<b>SPECIAL</b>		
POLISHED NICKEL	WI-LVH610HC-PN	\$742.95
SATIN CHROME	WI-LVH610HC-SC	\$742.95
SATIN NICKEL	WI-LVH610HC-SN	\$742.95
<b>PREMIUM</b>		
ANTIQUE BRASS	WI-LVH610HC-AB	\$787.95
ANTIQUE COPPER	WI-LVH610HC-AC	\$787.95
OIL RUBBED BRONZE	WI-LVH610HC-ORB	\$787.95
POLISHED BRASS-PVD	WI-LVH610HC-PB	\$787.95
POLISHED COPPER	WI-LVH610HC-COP	\$787.95
STAINLESS STEEL	WI-LVH610HC-SS	\$787.95
WEATHERED BRASS	WI-LVH610HC-WB	\$787.95
WEATHERED COPPER	WI-LVH610HC-WC	\$787.95
<b>PREMIUM PLUS</b>		
GOLD	WI-LVH610HC-GOLD	\$1,156.95
SATIN GOLD	WI-LVH610HC-SG	\$1,156.95

**FAUCET ONLY**

CHROME	WI-FA610HC-CH	\$386.95
<b>COLOR</b>		
BISCUIT	WI-FA610HC-BS	\$405.95
BLACK	WI-FA610HC-BK	\$405.95
WHITE	WI-FA610HC-WH	\$405.95
<b>SPECIAL</b>		
POLISHED NICKEL	WI-FA610HC-PN	\$469.95
SATIN CHROME	WI-FA610HC-SC	\$469.95
SATIN NICKEL	WI-FA610HC-SN	\$469.95
<b>PREMIUM</b>		
ANTIQUE BRASS	WI-FA610HC-AB	\$522.95
ANTIQUE COPPER	WI-FA610HC-AC	\$522.95
OIL RUBBED BRONZE	WI-FA610HC-ORB	\$522.95
POLISHED BRASS-PVD	WI-FA610HC-PB	\$522.95
POLISHED COPPER	WI-FA610HC-COP	\$522.95
STAINLESS STEEL	WI-FA610HC-SS	\$522.95
WEATHERED BRASS	WI-FA610HC-WB	\$522.95
WEATHERED COPPER	WI-FA610HC-WC	\$522.95
<b>PREMIUM PLUS</b>		
GOLD	WI-FA610HC-GOLD	\$882.95
SATIN GOLD	WI-FA610HC-SG	\$882.95

**Dimensions:**  
Height: 9"  
Reach: 5"  
Spout Diameter: 1/2"  
Hole Size Required: 1-1/4"



**Please call for pricing on any Finish/Faucet combinations not listed.**

**For use with reverse osmosis systems, use Air Gap Module shown on page 56.**

**UPGRADE SYSTEM TO A STAINLESS STEEL TANK FOR \$100.**  
Add **-SS** to end of part number



Meets no lead standards for CA AB 1953 and VT Act 193.

The Everhot mark is used under license from Bradford White Corp.