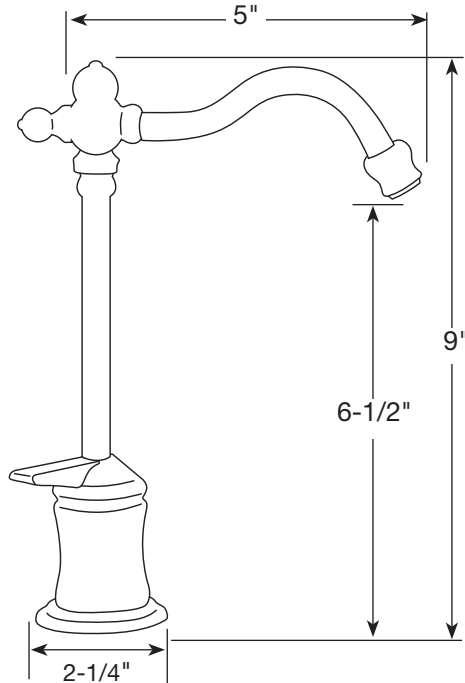


MODEL	DESCRIPTION	FINISH	PART #	LIST PRICE
TRADITIONAL SERIES LVH630	EverHot Lead Free Hot Only Water Dispenser Shipping Wt: 10 lbs.	FAUCET & EVERHOT TANK FOR REVERSE OSMOSIS		
		CHROME	WI-LVH630RH-CH	\$709.95
HOT ONLY	Traditional design • locking lever option for filling pitchers and pots • built in aerator • swivel spout	SPECIAL		
		POLISHED NICKEL	WI-LVH630RH-PN	\$766.95
WITH VICTORIA SPOUT AND AIR GAP	Includes faucet, EverHot tank, 3' cord, & tubing. Certified to NSF/ANSI Standard 61 and California Proposition 65.	SATIN NICKEL	WI-LVH630RH-SN	\$766.95
		PREMIUM		
FAUCET ONLY	Shipping Wt: 3 lbs.	OIL RUBBED BRONZE	WI-LVH630RH-ORB	\$781.95
		FAUCET ONLY FOR REVERSE OSMOSIS		
		CHROME	WI-FA630RH-CH	\$401.95
		SPECIAL		
		POLISHED NICKEL	WI-FA630RH-PN	\$469.95
		SATIN NICKEL	WI-FA630RH-SN	\$469.95
		PREMIUM		
		OIL RUBBED BRONZE	WI-FA630RH-ORB	\$499.95

Please call for pricing on any Finish/Faucet combinations not listed.

Dimensions:
Height: 9"
Reach: 5"
Spout Diameter: 1/2"
Hole Size Required: 1-1/4"



**UPGRADE SYSTEM TO
A STAINLESS STEEL
TANK FOR \$100.**
Add **-SS** to end of part number



Meets no lead standards for CA AB 1953 and VT Act 193.

The Everhot mark is used under license from Bradford White Corp.