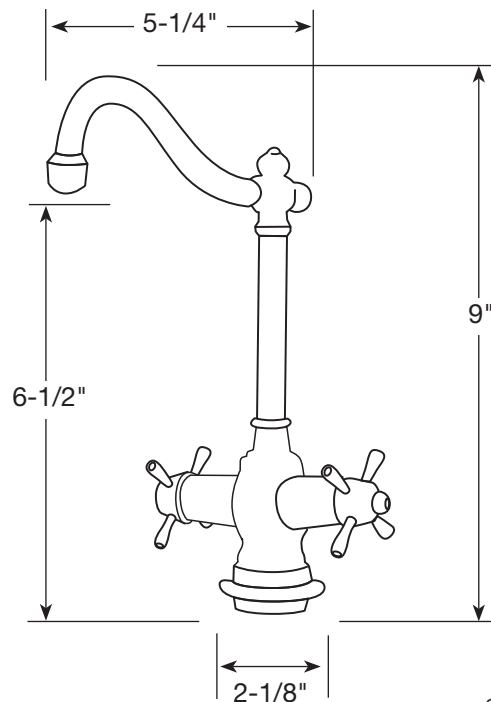


MODEL	DESCRIPTION	FINISH	PART #	LIST PRICE
VICTORIA SERIES LVH750	EverHot Lead Free Hot/Cold Water Dispenser	FAUCET & EVERHOT TANK		
	Shipping Wt: 12 lbs.	CHROME	WI-LVH750HC-CH	\$771.95
HOT/COLD	Includes faucet, EverHot tank, 3' cord & tubing.	SPECIAL		
		SATIN NICKEL- PVD	WI-LVH750HC-SN	\$897.95
WITH CROSS HANDLES	Victorian design • adjustable flow control with 1/4 turn ceramic disc valve for filling pitchers and pots • swivel spout • built-in aerator	PREMIUM		
		ENGLISH BRONZE	WI-LVH750HC-EB	\$954.95
		OIL RUBBED BRONZE	WI-LVH750HC-ORB	\$954.95
		POLISHED BRASS- PVD	WI-LVH750HC-PB	\$954.95
		TUSCAN BRASS	WI-LVH750HC-TB	\$954.95
	Certified to NSF/ANSI Standard 61 and California Proposition 65.	FAUCET ONLY		
	Chiller sold separately (see EverCold, page 77).	CHROME	WI-FA750HC-CH	\$503.95
FAUCET ONLY	Shipping Wt: 5 lbs.	SPECIAL		
		SATIN NICKEL- PVD	WI-FA750HC-SN	\$627.95
		PREMIUM		
		ENGLISH BRONZE	WI-FA750HC-EB	\$689.95
		OIL RUBBED BRONZE	WI-FA750HC-ORB	\$689.95
		POLISHED BRASS- PVD	WI-FA750HC-PB	\$689.95
		TUSCAN BRASS	WI-FA750HC-TB	\$689.95

Dimensions:
 Height: 9"
 Reach: 5-1/4"
 Spout Diameter: 1/2"
 Hole Size Required: 1-1/4"



Please call for pricing on any Finish/Faucet combinations not listed.

A separate air gap is available for reverse osmosis on this model. See pages 78 and 79.

UPGRADE SYSTEM TO A STAINLESS STEEL TANK FOR \$100.
 Add **-SS** to end of part number



Meets no lead standards for CA AB 1953 and VT Act 193.

The Everhot mark is used under license from Bradford White Corp.