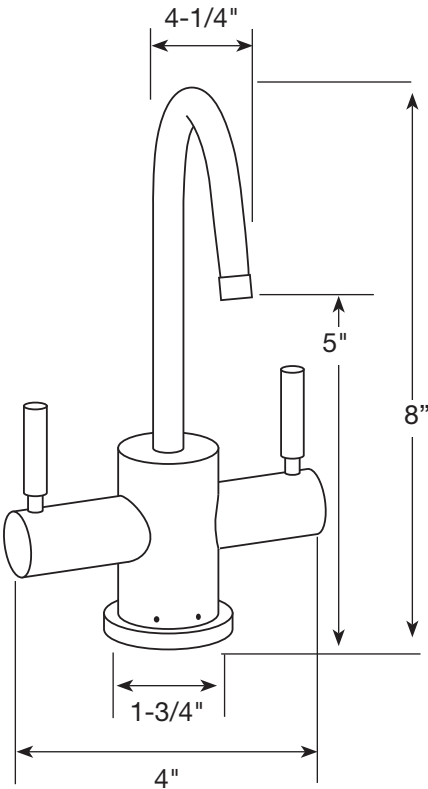


MODEL	DESCRIPTION	FINISH	PART #	LIST PRICE
<b>HORIZON SERIES LVH1120</b>	EverHot Lead Free Hot/Cold Water Dispenser	<b>FAUCET &amp; EVERHOT TANK</b>		
<b>HOT/COLD</b>	Shipping Wt: 12 lbs.	CHROME	WI-LVH1120HC-CH	\$655.95
	Includes faucet, EverHot tank, 3' cord & tubing.	SATIN NICKEL-PVD	WI-LVH1120HC-SN	\$759.95
	Horizon series • <b>adjustable flow control with 1/4 turn ceramic disc valve for filling pitchers and pots</b> • swivel spout • built-in aerator	SPECIAL*	WI-LVH1120HC-__	\$946.95
	Certified to NSF/ANSI Standard 61 and California Proposition 65.	*SPECIAL = any sigma finish except precious metal (silver & gold) SEE CUSTOM FINISH INFO ON PAGE 94 FOR EXAMPLES. Allow 6 to 8 weeks for delivery.		
	Chiller sold separately (see EverCold, page 85).	<b>FAUCET ONLY</b>		
<b>FAUCET ONLY</b>	Shipping Wt: 5 lbs.	CHROME	WI-FA1120HC-CH	\$280.95
		SATIN NICKEL-PVD	WI-FA1120HC-SN	\$412.95
		SPECIAL*	WI-FA1120HC-__	\$660.95
		*SPECIAL = any sigma finish except precious metal (silver & gold) SEE CUSTOM FINISH INFO ON PAGE 94 FOR EXAMPLES. Allow 6 to 8 weeks for delivery.		

**Dimensions:**  
Height: 8"  
Reach: 4-1/4"  
Spout Diameter: 1/2"  
Hole Size Required: 1-1/4"



**NEW!  
SLIMMER  
WIDTH**

**A separate air gap is available for reverse osmosis on this model. See pages 86 and 87.**

**UPGRADE SYSTEM TO A  
STAINLESS STEEL TANK  
FOR \$100.**  
Add -SS to end of part number



Meets no lead standards for CA AB 1953 and VT Act 193.

The Everhot mark is used under license from Bradford White Corp.

**MAXIMUM recommended line pressure for this product is 75 PSI.** Pressure above 75 PSI indicates the absence of a properly functioning water pressure regulator at the property. Excessive water pressure poses a risk of property damage to you. Problems due to excessive water pressure are NOT covered by this product's warranty. **BEFORE** installation of any Water, Inc. product, confirm that water supply pressure does not exceed 75 PSI. Questions? Contact Water, Inc. Service Dept. at 800.322.WATER(9283)