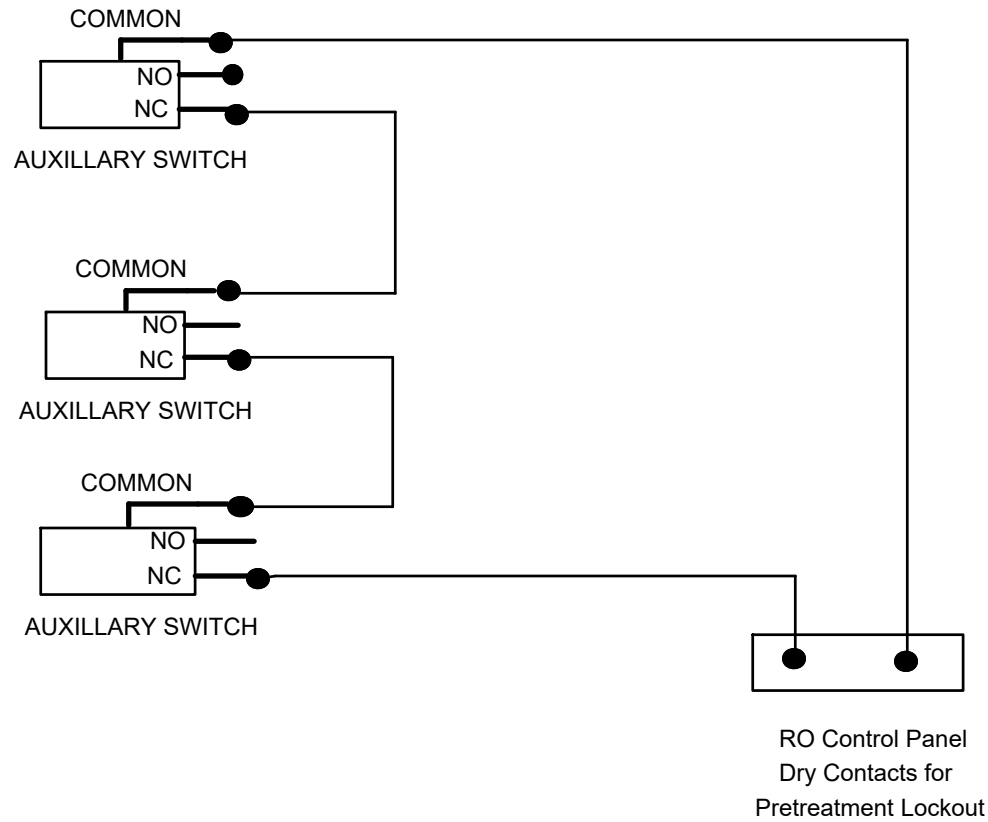


Auxiliary Switch Wiring for Backwash Filters and RO Systems with RO Control Panel



831.462.8500 FAX: 831.515.5119
 info@cleanwaterstore.com www.cleanwaterstore.com
 2806-A Soquel Ave Santa Cruz, CA 95062

JOB:

DATE:

CHECK:

DRAWING ID: 004014

NOTES:

For use with RO Control Panels that have set of two dry contacts for pretreatment lockout. If these dry contacts are jumpered together, the RO will run. If this circuit is interrupted, RO will not run. #16 wire is adequate for wiring. A wire runs from each Common terminal on each auxilliary switch to either one of the contacts on the RO control panel. The other terminal is wired to the NC (normally closed) terminal contact on each auxiliary switch. During a backwash the aux switch points open and power to the RO is shut off.