

LEAD FREE ACCESSORY FAUCETS

by Water Inc.



January 1, 2012

MODEL	DESCRIPTION	FINISH	PART #	LIST PRICE
-------	-------------	--------	--------	------------

CLASSIC 200

CLASSIC Lead Free Accessory Faucet For Filter

COLD ONLY

Shipping Wt: 3 lbs.

WITH J-SPOUT

Timeless design matches any décor · **adjustable flow control with 1/4 turn ceramic disc valve for filling pitchers and pots** · solid brass construction · swivel spout

Certified to NSF/ANSI Standard 61 and California Proposition 65.

Chiller sold separately (see EverCold, page 77).

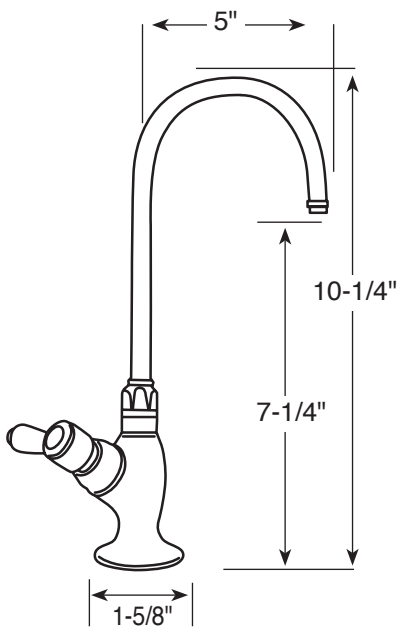
CLASSIC FOR FILTER

CHROME	WI-FA200C-CH	\$284.95
COLOR		
WHITE	WI-FA200C-WH	\$294.95
SPECIAL		
POLISHED NICKEL	WI-FA200C-PN	\$435.95
SATIN NICKEL	WI-FA200C-SN	\$435.95
PREMIUM		
POLISHED BRASS	WI-FA200C-PB	\$445.95
TUSCAN BRASS	WI-FA200C-TB	\$445.95

Not available in other finishes.

A separate air gap is available for reverse osmosis on this model. See pages 78 and 79.

Dimensions:
 Height: 10-1/4"
 Reach: 5"
 Spout Diameter: 3/8"
 Hole Size Required: 1/2"



Meets no lead standards for CA AB 1953 and VT Act 193.

FAUCET KIT

Part # WI-FAUCET-KIT Shipping Wt: 2 lbs.

\$28.95

Compatible with this Water, Inc. faucet. Includes a JG 1/4 x 7/16 - 24UNS Speedfit connector, angle stop valve, teflon tape, six feet of 1/4" OD tubing, and installation instructions.