

LEAD FREE ACCESSORY FAUCETS



January 1, 2012

MODEL	DESCRIPTION	FINISH	PART #	LIST PRICE
-------	-------------	--------	--------	------------

CONTEMPORARY SERIES 1400

COLD ONLY

Contemporary Lead Free Accessory Faucet for Filter

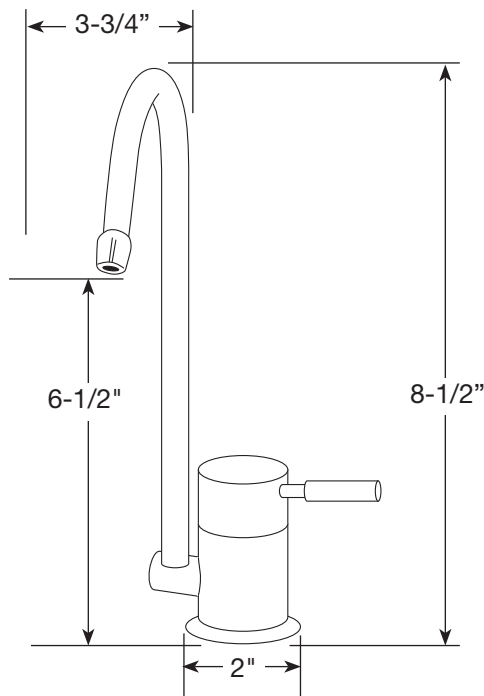
Shipping Wt: 3 lbs.

Contemporary design • **adjustable flow control with a quarter turn ceramic disc valve for filling pitchers and pots** • swivel spout • built-in aerator

Certified to NSF/ANSI Standard 61 and California Proposition 65.

Chiller Sold Separately (See EverCold, page 77).

Dimensions:
 Height: 8-1/2"
 Reach: 3-3/4"
 Spout Diameter: 1/2"
 Hole Size Required: 1-1/4"



FAUCET ONLY

CHROME WI-FA1400C-CH \$251.95

SPECIAL SATIN NICKEL WI-FA1400C-SN \$274.95

A separate air gap is available for reverse osmosis on this model. See pages 78 and 79.



Meets no lead standards for CA AB 1953 and VT Act 193.

FAUCET KIT

Part # WI-FAUCET-KIT Shipping Wt: 2 lbs.

\$28.95

Compatible with this Water, Inc. faucet. Includes a JG 1/4 x 7/16 - 24UNS Speedfit connector, angle stop valve, teflon tape, six feet of 1/4" OD tubing, and installation instructions.