

LEAD FREE ACCESSORY FAUCETS

by Water Inc.



January 1, 2012

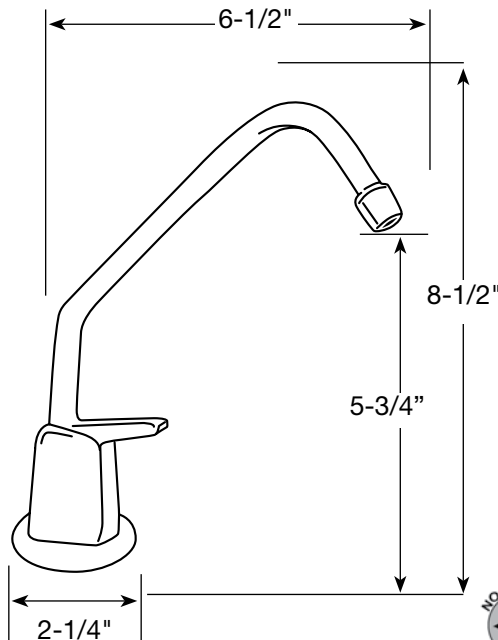
MODEL	DESCRIPTION	FINISH	PART #	LIST PRICE
DESIGNER 300	DESIGNER Lead Free Accessory Faucet For Filter	DESIGNER Lead Free FOR FILTER		
	DESIGNER Lead Free Accessory Faucet For Reverse Osmosis	CHROME	WI-FA300C-CH	\$176.95
COLD ONLY	Shipping Wt: 3 lbs.	COLOR		
		ALMOND	WI-FA300C-AL	\$216.95
WITH LONG REACH SPOUT	Original long reach spout • 3/8" diameter spout • locking lever option for filling pitchers and pots • built-in aerator • swivel spout	BISCUIT	WI-FA300C-BS	\$216.95
		BLACK	WI-FA300C-BK	\$216.95
		WHITE	WI-FA300C-WH	\$216.95
		SPECIAL		
		POLISHED NICKEL	WI-FA300C-PN	\$231.95
		SATIN CHROME	WI-FA300C-SC	\$231.95
		SATIN NICKEL	WI-FA300C-SN	\$231.95
		PREMIUM		
		OIL RUBBED BRONZE	WI-FA300C-ORB	\$249.95
		POLISHED BRASS-PVD	WI-FA300C-PB	\$249.95

Certified to NSF/ANSI Standard 61 and California Proposition 65.

J-Spout not available

Chiller sold separately (see EverCold, page 77).

Dimensions:
 Height: 8"
 Reach: 6-1/2"
 Spout Diameter: 3/8"
 Hole Size Required: 1-1/4"



Meets no lead standards for CA AB 1953 and VT Act 193.

DESIGNER Lead Free AIR GAP FOR REVERSE OSMOSIS

CHROME	WI-FA300RC-CH	\$236.95
COLOR		
ALMOND	WI-FA300RC-AL	\$266.95
BISCUIT	WI-FA300RC-BS	\$266.95
BLACK	WI-FA300RC-BK	\$266.95
WHITE	WI-FA300RC-WH	\$266.95
SPECIAL		
POLISHED NICKEL	WI-FA300RC-PN	\$281.95
SATIN CHROME	WI-FA300RC-SC	\$281.95
SATIN NICKEL	WI-FA300RC-SN	\$281.95
PREMIUM		
OIL RUBBED BRONZE	WI-FA300RC-ORB	\$299.95
POLISHED BRASS-PVD	WI-FA300RC-PB	\$299.95

Please call for pricing on any Finish/Faucet combinations not listed.

FAUCET KIT	Part # WI-FAUCET-KIT	Shipping Wt: 2 lbs.	\$28.95
-------------------	----------------------	---------------------	---------

Compatible with this Water, Inc. faucet. Includes a JG 1/4 x 7/16 - 24UNS Speedfit connector, angle stop valve, teflon tape, six feet of 1/4" OD tubing, and installation instructions.