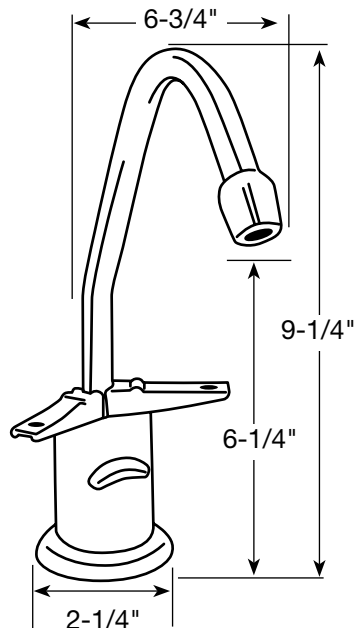


MODEL	DESCRIPTION	FINISH	PART #	LIST PRICE
<b>ELITE SERIES LVH500</b>	EverHot Lead Free Hot/Cold Water Dispenser	<b>FAUCET &amp; EVERHOT TANK</b>		
	Shipping Wt: 10 lbs.	CHROME	WI-LVH500HC-CH	\$635.95
<b>HOT/COLD</b>	Includes faucet, EverHot tank, 3' cord, & tubing.	COLOR		
		BISCUIT	WI-LVH500HC-BS	\$671.95
	Certified to NSF/ANSI Standard 61 and California Proposition 65.	BLACK	WI-LVH500HC-BK	\$671.95
		WHITE	WI-LVH500HC-WH	\$671.95
<b>WITH LONG REACH SPOUT</b>	Chiller sold separately (see EverCold, page 77).	SPECIAL		
		POLISHED NICKEL	WI-LVH500HC-PN	\$733.95
	Shipping Wt: 3 lbs.	SATIN CHROME	WI-LVH500HC-SC	\$733.95
		SATIN NICKEL	WI-LVH500HC-SN	\$733.95
<b>FAUCET ONLY</b>		PREMIUM		
		ANTIQUE BRASS	WI-LVH500HC-AB	\$766.95
		ANTIQUE COPPER	WI-LVH500HC-AC	\$766.95
		OIL RUBBED BRONZE	WI-LVH500HC-ORB	\$766.95
		POLISHED BRASS-PVD	WI-LVH500HC-PB	\$766.95
		POLISHED COPPER	WI-LVH500HC-COP	\$766.95
		STAINLESS STEEL	WI-LVH500HC-SS	\$766.95
		WEATHERED BRASS	WI-LVH500HC-WB	\$766.95
		WEATHERED COPPER	WI-LVH500HC-WC	\$766.95
		PREMIUM PLUS		
		GOLD	WI-LVH500HC-GOLD	\$898.95
		SATIN GOLD	WI-LVH500HC-SG	\$898.95

**Dimensions:**  
Height: 9-1/4"  
Reach: 6-3/4"  
Spout Diameter: 1/2"  
Hole Size Required: 1-1/4"



<b>FAUCET ONLY</b>			
CHROME	WI-FA500HC-CH		\$353.95
COLOR			
BISCUIT	WI-FA500HC-BS		\$369.95
BLACK	WI-FA500HC-BK		\$369.95
WHITE	WI-FA500HC-WH		\$369.95
SPECIAL			
POLISHED NICKEL	WI-FA500HC-PN		\$448.95
SATIN CHROME	WI-FA500HC-SC		\$448.95
SATIN NICKEL	WI-FA500HC-SN		\$448.95
PREMIUM			
ANTIQUE BRASS	WI-FA500HC-AB		\$499.95
ANTIQUE COPPER	WI-FA500HC-AC		\$499.95
OIL RUBBED BRONZE	WI-FA500HC-ORB		\$499.95
POLISHED BRASS-PVD	WI-FA500HC-PB		\$499.95
POLISHED COPPER	WI-FA500HC-COP		\$499.95
STAINLESS STEEL	WI-FA500HC-SS		\$499.95
WEATHERED BRASS	WI-FA500HC-WB		\$499.95
WEATHERED COPPER	WI-FA500HC-WC		\$499.95
PREMIUM PLUS			
GOLD	WI-FA500HC-GOLD		\$604.95
SATIN GOLD	WI-FA500HC-SG		\$604.95

Please call for pricing on any Finish/Faucet combinations not listed.

For use with reverse osmosis systems, use Air Gap Module shown on page 65.

**UPGRADE SYSTEM TO A STAINLESS STEEL TANK FOR \$100.**  
Add -SS to end of part number



Meets no lead standards for CA AB 1953 and VT Act 193.

The Everhot mark is used under license from Bradford White Corp.