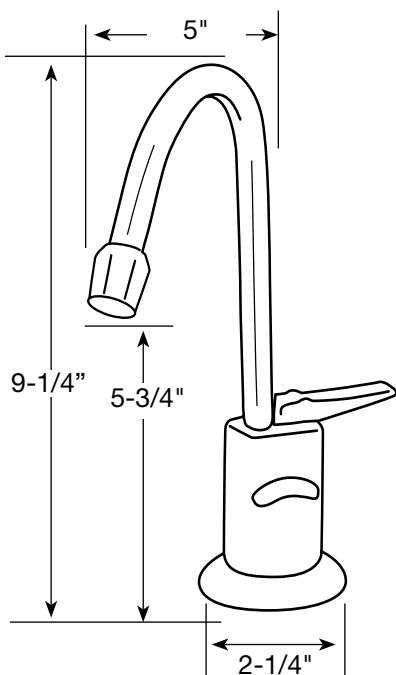


MODEL	DESCRIPTION	FINISH	PART #	LIST PRICE
ELITE SERIES LVH510	EverHot Lead Free Hot Only Water Dispenser	FAUCET & EVERHOT TANK FOR REVERSE OSMOSIS		
	Shipping Wt: 10 lbs.	CHROME	WI-LVH510RH-CH	\$615.95
HOT ONLY	Includes faucet, EverHot tank, 3' cord, & tubing.	COLOR		
		BISCUIT	WI-LVH510RH-BS	\$643.95
		BLACK	WI-LVH510RH-BK	\$643.95
		WHITE	WI-LVH510RH-WH	\$643.95
WITH J-SPOUT AND AIR GAP	Certified to NSF/ANSI Standard 61 and California Proposition 65.	SPECIAL		
		POLISHED NICKEL	WI-LVH510RH-PN	\$671.95
		SATIN CHROME	WI-LVH510RH-SC	\$671.95
		SATIN NICKEL	WI-LVH510RH-SN	\$671.95
FAUCET ONLY	Shipping Wt: 3 lbs.	PREMIUM		
		OIL RUBBED BRONZE	WI-LVH510RH-ORB	\$709.95
		POLISHED BRASS-PVD	WI-LVH510RH-PB	\$709.95

FAUCET ONLY FOR REVERSE OSMOSIS			
CHROME	WI-FA510RH-CH		\$346.95
COLOR			
BISCUIT	WI-FA510RH-BS		\$374.95
BLACK	WI-FA510RH-BK		\$374.95
WHITE	WI-FA510RH-WH		\$374.95
SPECIAL			
POLISHED NICKEL	WI-FA510RH-PN		\$396.95
SATIN CHROME	WI-FA510RH-SC		\$396.95
SATIN NICKEL	WI-FA510RH-SN		\$396.95
PREMIUM			
OIL RUBBED BRONZE	WI-FA510RH-ORB		\$471.95
POLISHED BRASS-PVD	WI-FA510RH-PB		\$471.95

Dimensions:
Height: 9-1/4"
Reach: 5"
Spout Diameter: 1/2"
Hole Size Required: 1-1/4"



Please call for pricing on any Finish/Faucet combinations not listed.

**UPGRADE SYSTEM TO A
STAINLESS STEEL TANK
FOR \$100.**
Add -SS to end of part number



Meets no lead standards for CA AB 1953 and VT Act 193.

The EverHot mark is used under license from Bradford White Corp.