

LEAD FREE ACCESSORY FAUCETS

by Water Inc.

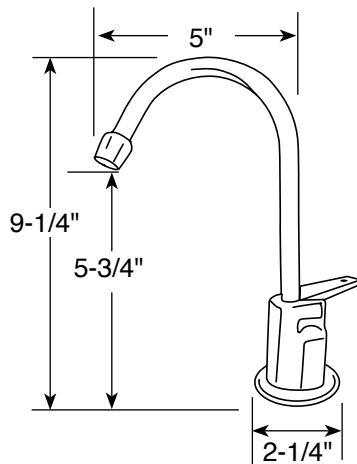


January 1, 2012

MODEL	DESCRIPTION	FINISH	PART #	LIST PRICE
ELITE SERIES 510	ELITE WITH J-SPOUT Lead Free Accessory Faucet For Filter	ELITE WITH J-SPOUT Lead Free FOR FILTER		
		CHROME	WI-FA510C-CH	\$216.95
COLD ONLY	ELITE WITH J-SPOUT Lead Free Accessory Faucet For Reverse Osmosis	COLOR		
		BISCUIT	WI-FA510C-BS	\$226.95
WITH J-SPOUT	Shipping Wt: 3 lbs. Elite design · locking lever option for filling pitchers and pots · swivel spout · built-in aerator Certified to NSF/ANSI Standard 61 and California Proposition 65. Chiller sold separately (see EverCold, page 77).	BLACK		
		WHITE	WI-FA510C-WH	\$226.95
		SPECIAL		
		POLISHED NICKEL	WI-FA510C-PN	\$261.95
		SATIN CHROME	WI-FA510C-SC	\$261.95
		SATIN NICKEL	WI-FA510C-SN	\$261.95
		PREMIUM		
		OIL RUBBED BRONZE	WI-FA510C-ORB	\$306.95
		POLISHED BRASS-PVD	WI-FA510C-PB	\$306.95
		STAINLESS STEEL	WI-FA510C-SS	\$306.95

ELITE WITH J-SPOUT Lead Free AIR GAP FOR REVERSE OSMOSIS			
CHROME	WI-FA510RC-CH		\$266.95
COLOR			
BISCUIT	WI-FA510RC-BS		\$276.95
BLACK	WI-FA510RC-BK		\$276.95
WHITE	WI-FA510RC-WH		\$276.95
SPECIAL			
POLISHED NICKEL	WI-FA510RC-PN		\$311.95
SATIN CHROME	WI-FA510RC-SC		\$311.95
SATIN NICKEL	WI-FA510RC-SN		\$311.95
PREMIUM			
OIL RUBBED BRONZE	WI-FA510RC-ORB		\$366.95
POLISHED BRASS-PVD	WI-FA510RC-PB		\$366.95
STAINLESS STEEL	WI-FA510RC-SS		\$366.95

Dimensions:
 Height: 9"
 Reach: 5"
 Spout Diameter: 1/2"
 Hole Size Required: 1-1/4"



Please call for pricing on any Finish/Faucet combinations not listed.



Meets no lead standards for CA AB 1953 and VT Act 193.

FAUCET KIT Part # WI-FAUCET-KIT Shipping Wt: 2 lbs. \$28.95

Compatible with this Water, Inc. faucet. Includes a JG 1/4 x 7/16 - 24UNS Speedfit connector, angle stop valve, teflon tape, six feet of 1/4" OD tubing, and installation instructions.