

LEAD FREE ACCESSORY FAUCETS

by Water Inc.



January 1, 2012

MODEL	DESCRIPTION	FINISH	PART #	LIST PRICE
-------	-------------	--------	--------	------------

ENDURING II SERIES 1310
COLD ONLY

Enduring II Lead Free Accessory Faucet for Filter
 Shipping Wt: 4 lbs.

Enduring II design • **adjustable flow control with a quarter turn ceramic disc valve for filling pitchers and pots** • swivel spout • built-in aerator

Certified to NSF/ANSI Standard 61 and California Proposition 65.

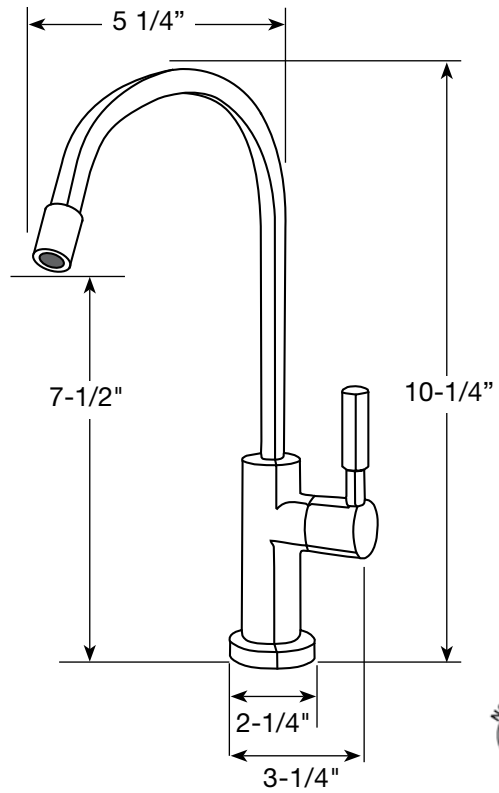
Chiller sold separately (see EverCold, page 77).

ENDURING II FOR FILTER		
CHROME	WI-FA1310C-CH	\$417.95
SPECIAL SATIN NICKEL	WI-FA1310C-SN	\$434.95

Please call for pricing on any Finish/Faucet combinations not listed.

A separate air gap is available for reverse osmosis on this model. See pages 78 and 79.

Dimensions:
 Height: 10-1/4"
 Reach: 5-1/4"
 Spout Diameter: 1/2"
 Hole Size Required: 1-1/4"



Meets no lead standards for CA AB 1953 and VT Act 193.

FAUCET KIT	Part # WI-FAUCET-KIT	Shipping Wt: 2 lbs.	\$28.95
-------------------	----------------------	---------------------	---------

Compatible with this Water, Inc. faucet. Includes a JG 1/4 x 7/16 - 24UNS Speedfit connector, angle stop valve, teflon tape, six feet of 1/4" OD tubing, and installation instructions.