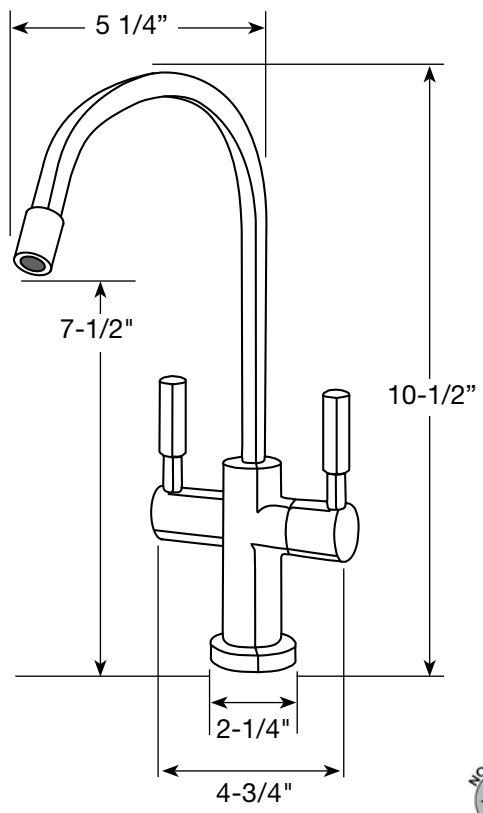


MODEL	DESCRIPTION	FINISH	PART #	LIST PRICE
ENDURING II SERIES LVH1310	Enduring II Lead Free Accessory Faucet for Filter Shipping Wt: 12 lbs.	FAUCET & EVERHOT TANK		
		CHROME	WI-LVH1310HC-CH	\$899.95
HOT/COLD	Includes faucet, Everhot tank, 3' cord and tubing. Enduring II design • adjustable flow control with a quarter turn ceramic disc valve for filling pitchers and pots • swivel spout • built-in aerator Certified to NSF/ANSI Standard 61 and California Proposition 65. Chiller sold separately (see EverCold, page 77).	FAUCET ONLY		
		SPECIAL SATIN NICKEL	WI-LVH1310HC-SN	\$920.95
FAUCET ONLY	Shipping Wt: 5 lbs.	CHROME	WI-FA1310HC-CH	\$605.95
		SPECIAL SATIN NICKEL	WI-FA1310HC-SN	\$627.95

A separate air gap is available for reverse osmosis on this model. See pages 78 and 79.

Dimensions:
Height: 10-1/2"
Reach: 5-1/4"
Spout Diameter: 1/2"
Hole Size Required: 1-1/4"

UPGRADE SYSTEM TO A STAINLESS STEEL TANK FOR \$100.
Add **-SS** to end of part number



Meets no lead standards for CA AB 1953 and VT Act 193.

The Everhot mark is used under license from Bradford White Corp.