

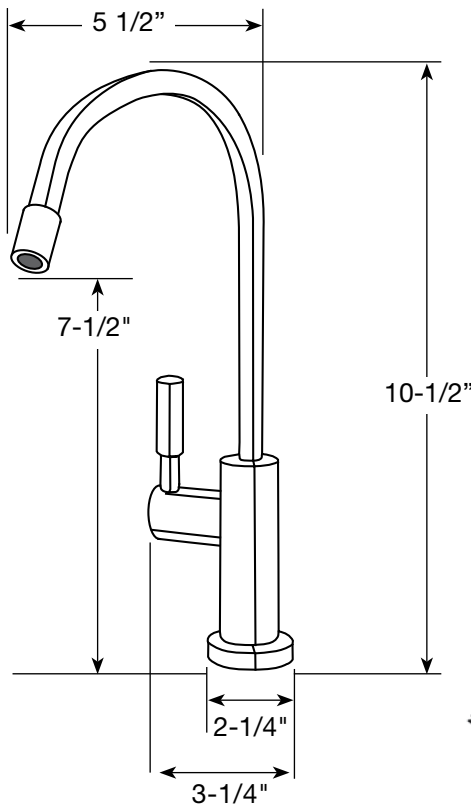
MODEL	DESCRIPTION	FINISH	PART #	LIST PRICE
ENDURING II SERIES LVH1310	Enduring II Lead Free Accessory Faucet for Filter Shipping Wt: 10 lbs.	FAUCET & EVERHOT TANK		
		CHROME	WI-LVH1310H-CH	\$874.95
HOT ONLY	Includes faucet, Everhot tank, 3' cord and tubing. Enduring II design • adjustable flow control with a quarter turn ceramic disc valve for filling pitchers and pots • swivel spout • built-in aerator	FAUCET ONLY		
		SPECIAL SATIN NICKEL	WI-LVH1310H-SN	\$890.95
FAUCET ONLY	Certified to NSF/ANSI Standard 61 and California Proposition 65. Shipping Wt: 4 lbs.	FAUCET ONLY		
		CHROME	WI-FA1310H-CH	\$578.95
		SPECIAL SATIN NICKEL	WI-FA1310H-SN	\$596.95

Please call for pricing on any Finish/Faucet combinations not listed.

A separate air gap is available for reverse osmosis on this model. See pages 78 and 79.

Dimensions:
Height: 10-1/2"
Reach: 5-1/2"
Spout Diameter: 1/2"
Hole Size Required: 1-1/4"

UPGRADE SYSTEM TO A STAINLESS STEEL TANK FOR \$100.
Add **-SS** to end of part number



Meets no lead standards for CA AB 1953 and VT Act 193.

The Everhot mark is used under license from Bradford White Corp.