

LEAD FREE ACCESSORY FAUCETS

by Water Inc.

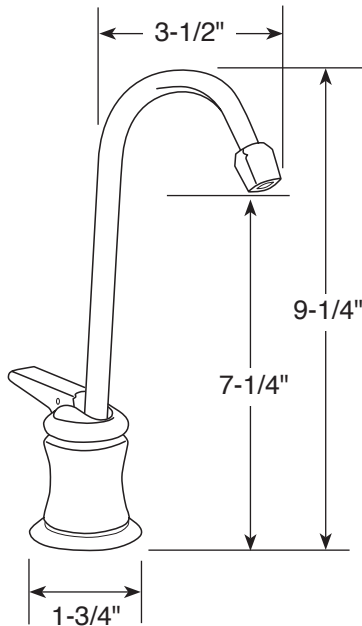


January 1, 2012

MODEL	DESCRIPTION	FINISH	PART #	LIST PRICE
LIBERTY 410	LIBERTY WITH J-SPOUT Lead Free Accessory Faucet For Filter	LIBERTY WITH J-SPOUT Lead Free FOR FILTER		
COLD ONLY	Shipping Wt: 3 lbs.	CHROME	WI-FA410C-CH	\$156.95
WITH J-SPOUT	Locking lever option for filling pitchers and pots • swivel spout	COLOR		
	Certified to NSF/ANSI Standard 61 and California Proposition 65.	WHITE	WI-FA410C-WH	\$182.95
	Chiller sold separately (see EverCold, page 77).	SPECIAL		
		POLISHED NICKEL	WI-FA410C-PN	\$201.95
		SATIN NICKEL	WI-FA410C-SN	\$201.95
		PREMIUM		
		POLISHED COPPER	WI-FA410C-COP	\$223.95
		OIL RUBBED BRONZE	WI-FA410C-ORB	\$223.95

A separate air gap is available for reverse osmosis on this model. See pages 78 and 79.

Dimensions:
 Height: 9-1/4"
 Reach: 3-1/2"
 Spout Diameter: 1/2"
 Hole Size Required: 1/2"



Meets no lead standards for CA AB 1953 and VT Act 193.

FAUCET KIT Part # WI-FAUCET-KIT Shipping Wt: 2 lbs. \$28.95

Compatible with this Water, Inc. faucet. Includes a JG 1/4 x 7/16 - 24UNS Speedfit connector, angle stop valve, teflon tape, six feet of 1/4" OD tubing, and installation instructions.