

application: **Reverse Osmosis**
Reduction of TDS

model:
SQC-4

8.28 Gallons per day
 31.3 Liters per day

- Four Stage Filtration**
1. Sediment Prefilter
 2. Granular Carbon Filter
 3. RO membrane
 4. Carbon Block Postfilter

REDUCTION CLAIMS

- Arsenic (pentavalent)
- Barium
- Cadmium
- Chromium (Hex.)
- Chromium (Tri.)
- Copper
- Cyst
- Fluoride
- Lead
- Radium 226/228
- Selenium
- Total Dissolved Solids (TDS)
- Turbidity
- Chlorine Taste and Odor

PRODUCT BENEFITS

- Four stage filtration
- Sanitary quick change system eliminates the need to handle filter media
- Easy to change filter. 1/4 turn
- FDA CFR-21 and or NSF compliant materials
- Limited Warranty
- Third Party tested and approved
- Self Cleansing technology for RO Membrane
- Slim profile, space saving design
- No electricity required, powered by water line pressure
- California certification 08-1902

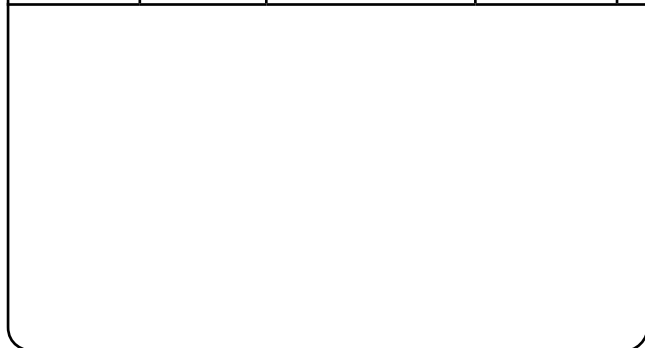
SPEC# _____

QUANTITY _____



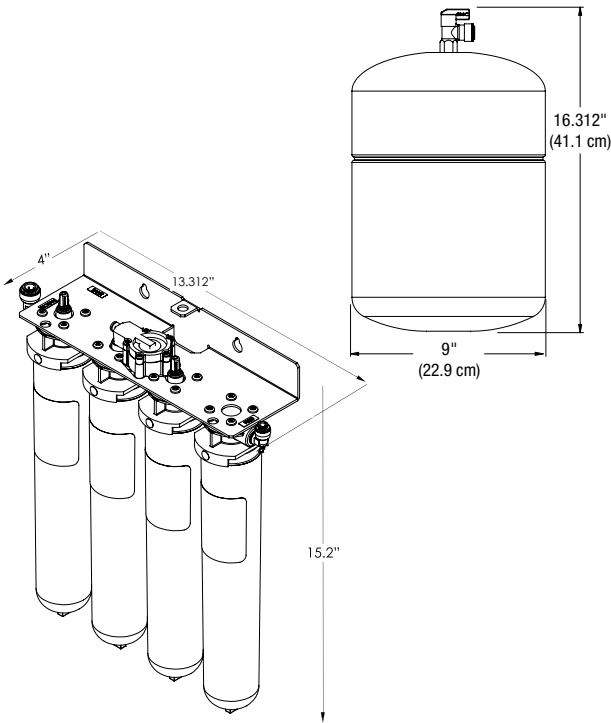
PRODUCT SPECIFICATIONS

Model Number	Part Number	Description	Connections	Prefilter Sediment	Granular Carbon Filter	RO Membrane	Post Carbon Block Filtration
SQC-4	04-063	4 Stage Reverse Osmosis	1/4" NPT	47-55702G2	47-55704G2	66-4706G2	47-55710G2



SPEC# _____
 QUANTITY _____
 MODEL NUMBER _____
 PART NUMBER _____

DIMENSIONAL SPECIFICATIONS



⚠ WARNING: To reduce the risk associated with the ingestion of contaminants:

- **Do not use with water that is microbiologically unsafe or of unknown quality without adequate disinfection before or after the system.** Systems certified for cyst reduction may be used on disinfected water that may contain filterable cysts. EPA Establishment #070595-CT-001.

3M Purification Inc. recommends regularly scheduled maintenance and replacement of the filter cartridge(s) in order for the product to perform as advertised/sold. 3M Purification Inc. shall not be liable for system failures due to improper maintenance.

LIMITED WARRANTY

3M Purification Inc., warrants this Product will be free from defects in material and manufacture for the following periods from the date of purchase: 10 years for the Product, except for the replacement filter cartridges and membrane, which are warranted for one year. This warranty does not cover failures resulting from abuse, misuse, alteration or damage not caused by 3M or failure to follow installation and use instructions. No warranty is given as to the service life of any filter cartridge or membrane as it will vary with local water conditions and water consumption. If the Product fails to satisfy this Limited Warranty during the warranty period, 3M will replace the Product or refund your Product purchase price. This warranty does not cover labor. **3M MAKES NO OTHER WARRANTIES OR CONDITIONS, EXPRESS OR IMPLIED, INCLUDING, BUT NOT LIMITED TO, ANY IMPLIED WARRANTY OR CONDITION OF MERCHANTABILITY OR FITNESS FOR A PARTICULAR PURPOSE OR ANY IMPLIED WARRANTY OR CONDITION ARISING OUT OF A COURSE OF DEALING, CUSTOMER OR USAGE OF TRADE. The remedy stated in this paragraph is Customer's sole remedy and 3M's exclusive obligation. For additional information, see the entire Limited Warranty located in the product Installation and Operating Instruction Manual.**

Limitation of Liability:

3M Purification will not be liable for any loss or damage arising from this 3M product, whether direct, indirect, special, incidental, or consequential, regardless of the legal theory asserted, including warranty, contract, negligence or strict liability. Some states and countries do not allow the exclusion of limitation of incidental or consequential damages, so the above limitation or exclusion may not apply to you.

PHYSICAL SPECIFICATIONS

- Includes 2.5 Gallon Storage Tank
- Inlet and outlet plumbing connections are quick-connect push-in style
- Max Operating Pressure of 100PSI and Operating Temperature of 100°F
- System is NSF Certified for Std. 42 & 58 for reduction of claims specified on the Performance Data Sheet
- NSF Certified Stainless Steel Faucet included

SAFETY INFORMATION

CAUTION: To reduce the risk associated with property damage due to water leakage:

- **Read and follow** Use Instructions before installation and use of this system.
- Installation and use **MUST** comply with all state and local plumbing codes.
- **Protect from freezing**, remove system when temperatures are expected to drop below 40°F (4.4°C).
- **Do not install on hot water supply lines.** The maximum operating water temperature of this filter system is 100°F (37.8°C).
- **Do not install** if water pressure exceeds 100 psi (690 kPa). If your water pressure exceeds 80 psi (552 kPa), you must install a pressure limiting valve. Contact a plumbing professional if you are uncertain how to check your water pressure.
- **Do not install** where water hammer conditions may occur. If water hammer conditions exist you must install a water hammer arrester. Contact a plumbing professional if you are uncertain how to check for this condition.
- The disposable filter cartridges **MUST** be replaced every 12 months, at the rated capacity or sooner, if a noticeable reduction in flow rate occurs.
- RO Membrane and pleated filter must be replaced every 36 months, at the rated capacity or sooner, if a noticeable reduction in flow rate occurs



3M Purification Inc.
 400 Research Parkway
 Meriden, CT 06450 U.S.A.
 Toll Free: 1.888.218.2866
 Worldwide: 203.237.5541
 Fax: 203.238.8701
 www.3MPurification.com

Water Factory Systems is a trademark of 3M used under license
 3M is a trademark of 3M Company.
 NSF is a trademark of NSF International.
 © 2010 3M Company. All rights reserved.
 70-0201-9506-4
 REV 0310



Tested and certified by NSF International against NSF/ANSI Standards 42 & 58 for reduction of claims specified on the Performance Data Sheet.