
TIGERFLOW OCELOT SIMPLEX BOOSTER

www.tigerflow.com



• APPLICATIONS



Schools



Hotels



Apartment
Buildings



Agricultural
Irrigation



Residential
Homes



TIGERFLOW®



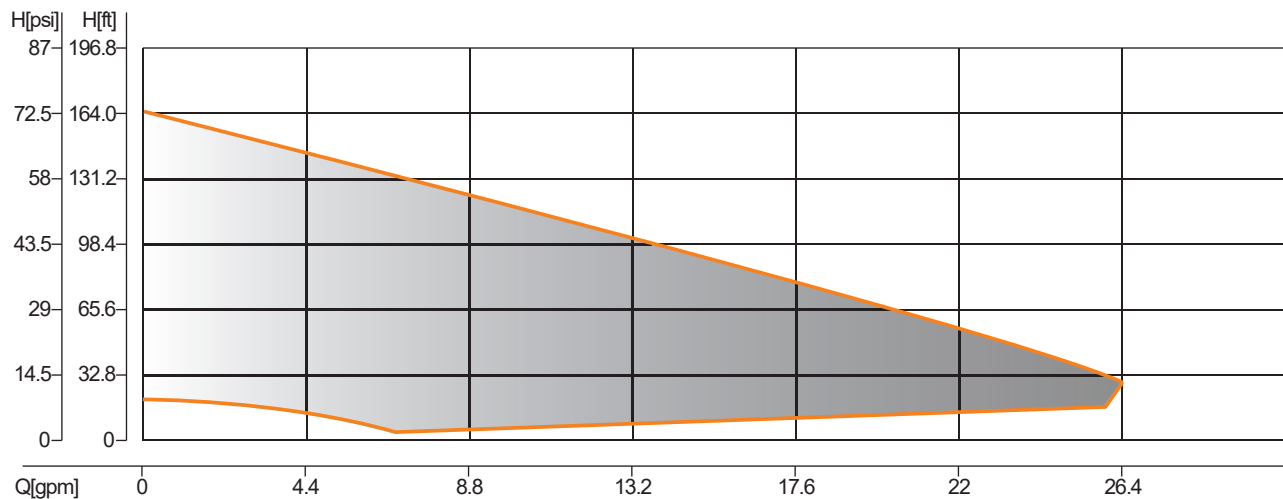
OCELOT SIMPLEX BOOSTER

• STANDARD FEATURES

- Permanent magnet motor with integrated VFD
- Adjustable pressure setpoint through easy-to-use interface
- Self-priming up to 5ft
- AISI 304 SS pump body and wetted components
- Built-in expansion tank for leak loads
- Excellent for residential or light commercial applications
- 120 VAC 3-prong cable connection
- Light weight and easy to move

• PERFORMANCE TABLE

Model	Power	Flow. Max	Head. Max	Rated Flow	Rated Head	Port Size	Suction. Max
	hp	gpm	ft	gpm	ft	in	ft
Ocelot Simplex Booster	1	25.53	164.04	13.21	101.7	1	26.2



• ELECTRICAL FEATURES

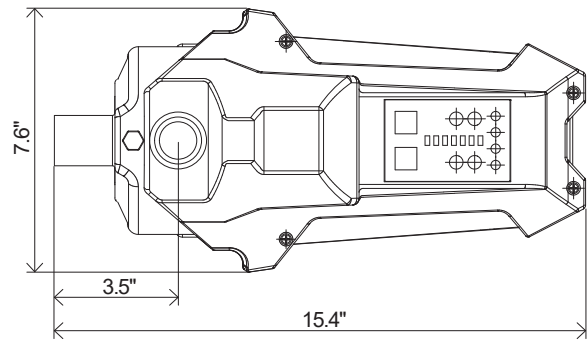
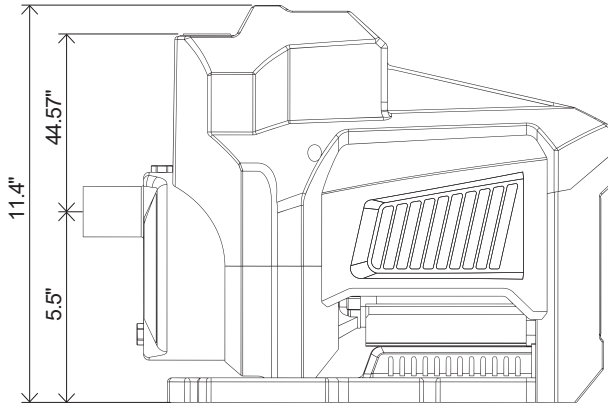
Model	Power Feed Options	Current	Frequency	Ambient Temperature	Media Temperature
Ocelot Simplex Booster	95~140 VAC	5.5A	60Hz	0-167°F	0-104°F



OCELOT SIMPLEX BOOSTER

• SIZE AND WEIGHT

Model	Inlet	Outlet	Size	Weight
Ocelot Simplex Booster	NPT 1"	NPT 1"	9.1"x16.9"x13.4"	17.6 lbs



• PRODUCT DISPLAY



TIGERFLOW

Ocelot Simplex Booster

VARIABLE SPEED OPERATION OFFERS UP TO 50% ENERGY SAVINGS

176°F

TEMPERATURE





Voltage: 115V/60Hz	Power: 1HP
Max head: 164'	Max flow: 25.5GPM
Rated head: 92'	Rated flow: 13.2 GPM
Max lift: 9'	System connection: 1" NPT

65°F water, sea level





4034 Mint Way | Dallas, TX 75237
www.tigerflow.com

(214) 337-8780
sales@tigerflow.com
