

LEAD FREE ACCESSORY FAUCETS

by Water Inc.



January 1, 2012

MODEL	DESCRIPTION	FINISH	PART #	LIST PRICE
-------	-------------	--------	--------	------------

TRADITIONAL SERIES 610 TRADITIONAL Lead Free Accessory Faucet For Filter

COLD ONLY TRADITIONAL Lead Free Accessory Faucet For Reverse Osmosis

WITH J-SPOUT Shipping Wt: 3 lbs.

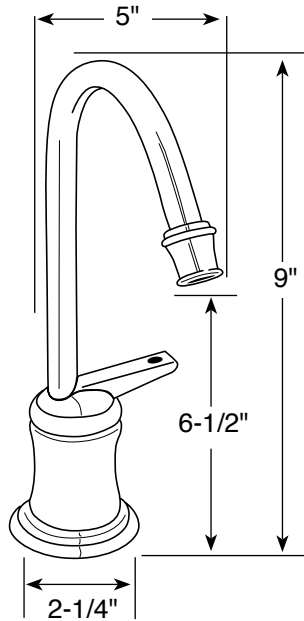
Available only with J-Spout.

Traditional design • locking lever option for filling pitchers and pots • swivel spout • built in aerator

Certified to NSF/ANSI Standard 61 and California Proposition 65.

Chiller sold separately (see EverCold, page 77).

Dimensions:
 Height: 9"
 Reach: 5"
 Spout Diameter: 1/2"
 Hole Size Required: 1-1/4"



TRADITIONAL Lead Free FOR FILTER

CHROME	WI-FA610C-CH	\$227.95
COLOR		
BISCUIT	WI-FA610C-BS	\$237.95
BLACK	WI-FA610C-BK	\$237.95
WHITE	WI-FA610C-WH	\$237.95
SPECIAL		
POLISHED NICKEL	WI-FA610C-PN	\$256.95
SATIN CHROME	WI-FA610C-SC	\$256.95
SATIN NICKEL	WI-FA610C-SN	\$256.95
PREMIUM		
OIL RUBBED BRONZE	WI-FA610C-ORB	\$313.95
POLISHED BRASS-PVD	WI-FA610C-PB	\$313.95
STAINLESS STEEL	WI-FA610C-SS	\$313.95
WEATHERED COPPER	WI-FA610C-WC	\$313.95

TRADITIONAL AIR GAP FOR REVERSE OSMOSIS

CHROME	WI-FA610RC-CH	\$257.95
COLOR		
BISCUIT	WI-FA610RC-BS	\$267.95
BLACK	WI-FA610RC-BK	\$267.95
WHITE	WI-FA610RC-WH	\$267.95
SPECIAL		
POLISHED NICKEL	WI-FA610RC-PN	\$296.95
SATIN CHROME	WI-FA610RC-SC	\$296.95
SATIN NICKEL	WI-FA610RC-SN	\$296.95
PREMIUM		
OIL RUBBED BRONZE	WI-FA610RC-ORB	\$363.95
POLISHED BRASS-PVD	WI-FA610RC-PB	\$363.95
STAINLESS STEEL	WI-FA610RC-SS	\$363.95
WEATHERED COPPER	WI-FA610RC-WC	\$363.95

Please call for pricing on any Finish/Faucet combinations not listed.



Meets no lead standards for CA AB 1953 and VT Act 193.

FAUCET KIT Part # WI-FAUCET-KIT Shipping Wt: 2 lbs. \$28.95

Compatible with this Water, Inc. faucet. Includes a JG 1/4 x 7/16 - 24UNS Speedfit connector, angle stop valve, teflon tape, six feet of 1/4" OD tubing, and installation instructions.