

# LEAD FREE ACCESSORY FAUCETS

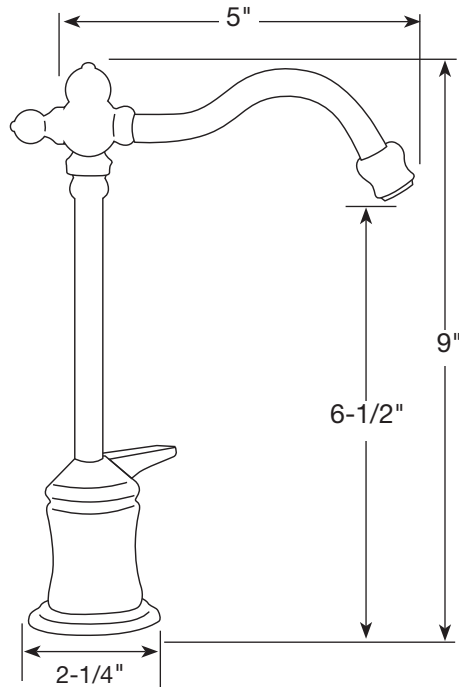
by Water Inc.



January 1, 2012

MODEL	DESCRIPTION	FINISH	PART #	LIST PRICE
<b>TRADITIONAL SERIES 630</b>  <b>COLD ONLY</b>  <b>WITH VICTORIA SPOUT</b>	TRADITIONAL Lead Free Accessory Faucet For Filter  TRADITIONAL Lead Free Accessory Faucet For Reverse Osmosis  Shipping Wt: 3 lbs.  Traditional design • locking lever option for filling pitchers and pots • swivel spout • built in aerator  Certified to NSF/ANSI Standard 61 and California Proposition 65.  Chiller sold separately (see EverCold, page 77).	<b>TRADITIONAL Lead Free FOR FILTER</b>		
		CHROME	WI-FA630C-CH	\$290.95
		SPECIAL		
		POLISHED NICKEL	WI-FA630C-PN	\$330.95
		SATIN NICKEL	WI-FA630C-SN	\$330.95
		<b>TRADITIONAL AIR GAP FOR REVERSE OSMOSIS</b>		
		CHROME	WI-FA630RC-CH	\$329.95
		SPECIAL		
		POLISHED NICKEL	WI-FA630RC-PN	\$372.95
		SATIN NICKEL	WI-FA630RC-SN	\$372.95
		PREMIUM		
		OIL RUBBED BRONZE	WI-FA630C-ORB	\$335.95

Dimensions:  
Height: 9"  
Reach: 5"  
Spout Diameter: 1/2"  
Hole Size Required: 1-1/4"



**Please call for pricing on any Finish/Faucet combinations not listed.**



Meets no lead standards for CA AB 1953 and VT Act 193.

<b>FAUCET KIT</b>	Part # WI-FAUCET-KIT	Shipping Wt: 2 lbs.	\$28.95
Compatible with this Water, Inc. faucet. Includes a JG 1/4 x 7/16 - 24UNS Speedfit connector, angle stop valve, teflon tape, six feet of 1/4" OD tubing, and installation instructions.			