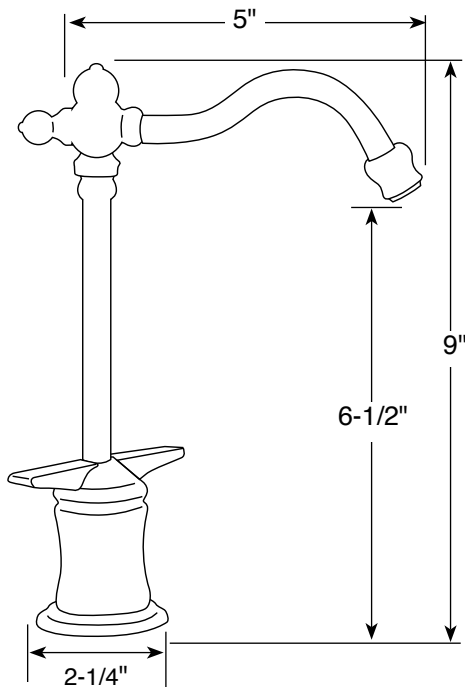


MODEL	DESCRIPTION	FINISH	PART #	LIST PRICE
<b>TRADITIONAL SERIES LVH630</b>	EverHot Lead Free Hot/Cold Water Dispenser Shipping Wt: 10 lbs.	<b>FAUCET &amp; EVERHOT TANK</b>		
		CHROME	WI-LVH630HC-CH	\$735.95
<b>HOT/COLD</b>	Traditional design · <b>locking lever option for filling pitchers and pots</b> · built in aerator · swivel spout	SPECIAL		
		POLISHED NICKEL	WI-LVH630HC-PN	\$784.95
<b>WITH VICTORIA SPOUT</b>	Includes faucet, EverHot tank, 3' cord, & tubing.  Certified to NSF/ANSI Standard 61 and California Proposition 65.  Chiller sold separately (see EverCold, page 77).	SATIN NICKEL	WI-LVH630HC-SN	\$784.95
		PREMIUM		
<b>FAUCET ONLY</b>	Shipping Wt: 3 lbs.	OIL RUBBED BRONZE	WI-LVH630HC-ORB	\$839.95
		<b>FAUCET ONLY</b>		
		CHROME	WI-FA630HC-CH	\$429.95
		SPECIAL		
		POLISHED NICKEL	WI-FA630HC-PN	\$509.95
		SATIN NICKEL	WI-FA630HC-SN	\$509.95
		PREMIUM		
		OIL RUBBED BRONZE	WI-FA630HC-ORB	\$565.95

**Dimensions:**  
Height: 9"  
Reach: 5"  
Spout Diameter: 1/2"  
Hole Size Required: 1-1/4"



**Please call for pricing on any Finish/Faucet combinations not listed.**

**For use with reverse osmosis systems, use Air Gap Module shown on page 56.**

**UPGRADE SYSTEM TO A STAINLESS STEEL TANK FOR \$100.**  
Add **-SS** to end of part number



Meets no lead standards for CA AB 1953 and VT Act 193.

The Everhot mark is used under license from Bradford White Corp.