



Clean Water Made Easy

www.cleanwaterstore.com

Stenner Pump Hydrogen Peroxide

Installation & Start-Up Guide

Thank you for purchasing a Clean Water System! With proper installation and a little routine maintenance your system will be providing treated water for many years.

Your new system comes with a printed Stenner installation manual, which along with this start-up guide will help guide you in the installation and start-up of your new system. Please review this start-up guide and the Stenner installation manual entirely before beginning to install your system and follow the steps outlined for best results.

**HYDROGEN PEROXIDE CAN DAMAGE CLOTHING AND IRRITATE SKIN AND EYES.
USE RUBBER GLOVES AND EYE PROTECTION WHEN HANDLING.**

WARNING: Risk of electrical shock. Read Stenner Installation Manual before installing. The pump is supplied with a grounding conductor and grounding type of attached plug. To reduce risk of electrical shock, be certain that it is connected to a properly grounded grounding-type electrical receptacle.

This pump is intended for indoor use. Suitable for outdoor use when installed with a Stenner rainroof.

Questions?

Call us toll-free: 1-888-600-5426 or 1-831-462-8500

Email us: support@cleanwaterstore.com

See more information on our website: www.cleanwaterstore.com/resources



Clean Water Made Easy

www.cleanwaterstore.com

Table of Contents

Table of Contents

Pre-Installation	3
Best Practices for Installation.....	3
How Your Hydrogen Peroxide System Works	3
Fig 1: Typical installation with contact tank and carbon backwash or iron filter.....	4
Figure 2: Typical wiring 220v Stenner pump on same circuit as well pump	5
Installation Instructions -	6
How to Select the Hydrogen Peroxide Solution Strength and Pump Setting	8
Step One: Determine flow rate of the water stream you are injecting into, in Gallons per Minute (GPM).....	9
Step Two: How Much Hydrogen Peroxide Should Be Injected? Determine the parts per million of hydrogen peroxide you are trying to achieve in parts per million (PPM).	9
Step Three: Determine what solution strength of peroxide to use	9
Example:	10
Example formula	10
Maintenance:	10
Winterizing:	10

Pre-Installation

1. Review your packing list and make sure you have received all the parts before beginning installation.
2. If you are going to be turning off the water to the house and you have an electric water heater, shut off the power to the water heater before beginning installation in case water heater is accidentally drained.
3. Pick a suitable location for your hydrogen peroxide system on a dry level spot where it won't be exposed to freezing temperatures. Maximum line pressure is 100 PSI.
4. Get all of your plumbing parts together before beginning installation. Installation typically takes 1 to 5 hours.
5. After the system is installed and running, your water may be discolored, or full of sediment or rust, particularly if you have older or corroded piping.

Best Practices for Installation

1. See typical installation for well water. (see Fig 1).
2. Make sure that the Stenner pump turns on and off with the well pump, or if you are using a flow switch, plug into the flow switch so the Stenner pump is activated based on water flow.
3. Do not cut the cord on the Stenner pump for direct wiring to the pressure switch. It is better to install a dedicated wall receptacle that is wired to power on and off with the well pump, unless you are using a flow switch.

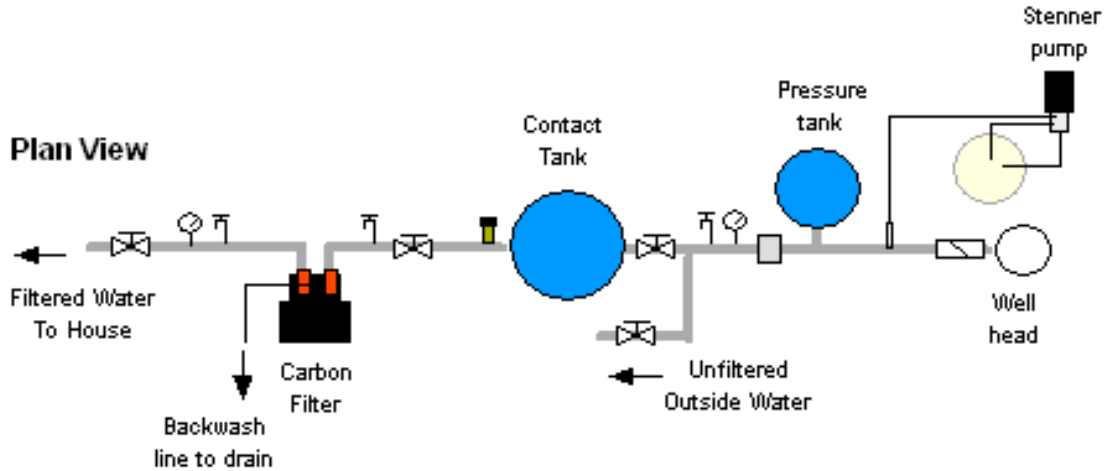
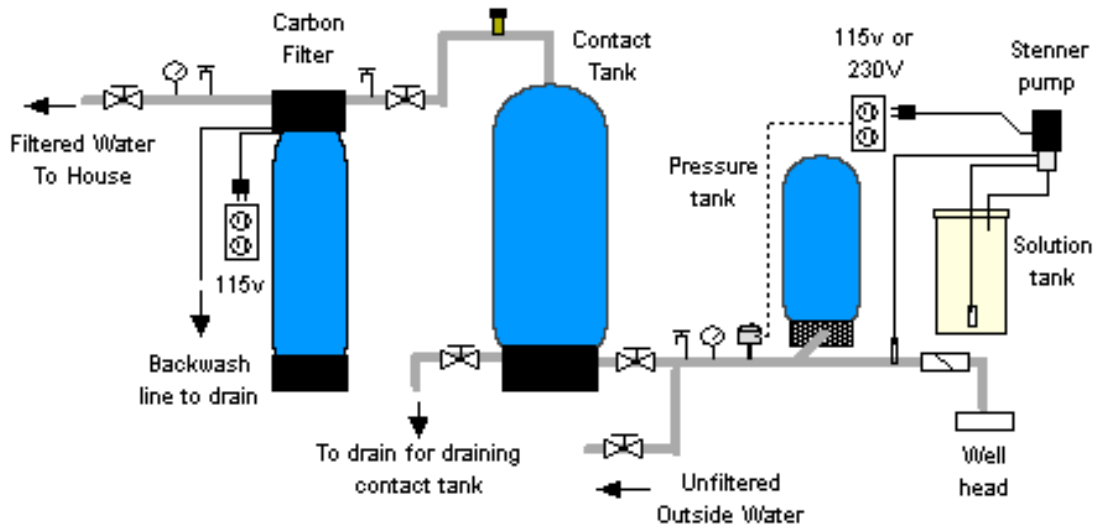
How Your Hydrogen Peroxide System Works

See Fig 2. The well pump is controlled by the pressure switch. A dedicated outlet for the Stenner pump is installed and wired so it is energized when the well pump is energized. When the water pressure in the pressure tank drops below the cut-in point on the pressure switch, the well pump and metering pump turn on. As water is pumped through the system, a small amount of hydrogen peroxide is pumped into the water by the Stenner metering pump.

Stenner Pump Hydrogen Peroxide Installation & Startup Guide

Fig 1: Typical installation with contact tank and carbon backwash or iron filter.

NOTE – Stenner pump must be wired so it switches on and off with well pump by wiring to same circuit as well pressure switch. Alternatively a Flow Switch can be used. The Stenner pump cannot just be plugged into a wall and left to run for 24 hours a day.

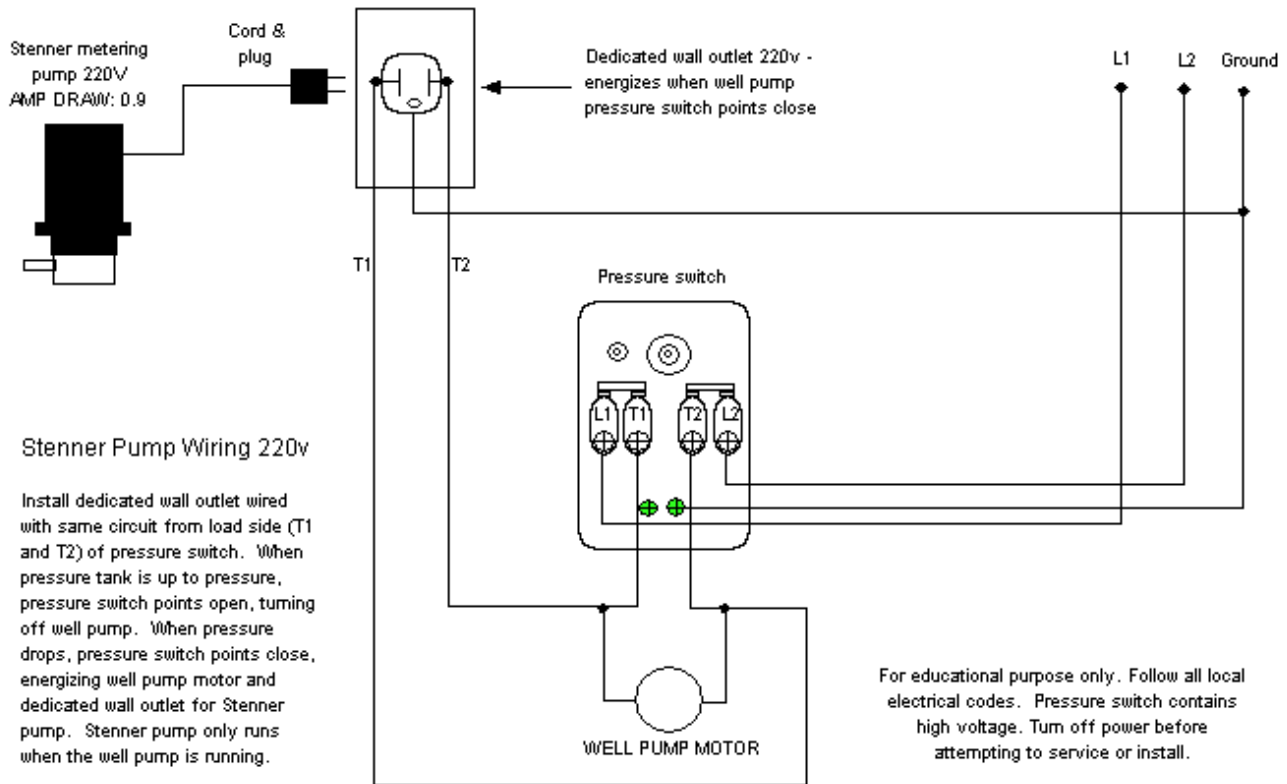


Key	Water piping	Hose bib	Vacuum Breaker
	Check valve	Pressure switch	
	Pressure gauge	Gate or ball valve	

Stenner Pump Hydrogen Peroxide Installation & Startup Guide

Figure 2: Typical wiring 220v Stenner pump on same circuit as well pump.

Run wires from T1 and T2 (load side of pressure switch) to dedicated wall outlet, and plug Stenner pump into outlet so Stenner pump only runs when well pump is energized.



Installation Instructions -

Typically the Stenner pump is wall mounted, facing down. As outlined in the Stenner installation manual, the Optional Spill Recovery is recommended, where you punch out one of the indented holes at the end of pump assembly and insert a length of ¼" tubing (included with pump) so that if the Stenner pump tube fails, the hydrogen peroxide solution will drain back into the solution tank instead of leaking on to the floor.

The optional contact tank allows for disinfection of bacteria, as well as oxidation and removal of iron and odors.

As the water flows into the contact tank, the hydrogen peroxide is thoroughly mixed in the water, allowing contact time to kill any bacteria and oxidize iron, manganese or hydrogen sulfide gas. Precipitated oxidized particles of iron, sulfides and manganese are filtered out of the water by the backwash filter, which is typically a catalytic carbon media filter type system.

Adjust the Stenner pump and the solution strength so there is a peroxide residual of 0.2 to 0.4 ppm after the contact tank before filtration.

Regarding optional vacuum breaker: the contact tank can withstand a line pressure of 75 PSI, but cannot take any vacuum. If the contact tank is drained or if the well system loses pressure, and water accidentally drains back down the well, or is drained after contact tank and a hose bib or faucet is not opened to allow air into the tank, a vacuum may occur inside the tank. This will cause contact tank failure, so a small 1/2" or 3/4" vacuum breaker is recommended to prevent this rare occurrence.

Follow all local plumbing and electrical codes.

Follow instructions in the Stenner Classic Series Installation and Maintenance Manual. If you need a copy of the manual you can download it from the Stenner site:

<http://www.stenner.com/support.htm>

Stenner Pump Hydrogen Peroxide Installation & Startup Guide

THIS IS THE RECOMMENDED INSTALLATION SET UP

NOTE – do not plug Stenner pump into a standard wall outlet. The outlet must be wired so it switches on and off with the well pump, OR a flow switch can be used so the Stenner pump switches on and off based on flow of water.

DISCHARGE SIDE

Shut off water supply.

Connect nut and ferrule to injection fitting or injection check valve. Hand tight only.

To prevent leaks, all the ferrules must be installed as illustrated.

At point of injection, drill a 7/16" hole and tap with a 1/4" NPT pipe tap. Install beyond all pumps, filters or tanks. Installation into pipe "Tee" fittings is not advisable.

The use of a Stenner Calcification Kit is recommended for NaOCl injection.



Note: The use of an Injection Check Valve as shown above is required in all high pressure applications (26 to 100 PSI - 1.73 to 6.9 bar)

Run the lead tube to the solution tank. Allow for some slack in the tube to avoid kinks.

Connecting Nut

SUCTION SIDE

Ferrule

Clay Weight

Immerse in Solution Tank

Measure the lead tube on outside of solution tank to ensure it will be 2-3" from the bottom of the tank. Do not allow weight to sit at the bottom of the tank.

Cut lead tube to desired length with enough slack to avoid kinks

Connect nut, ferrule and lead tube to the discharge side of the pumping head (labeled "out" on cover of head). Hand tight only. Do not use teflon tape.

Connect nut, ferrule and lead tube to the suction side of the pumping head (labeled "in" on cover of head). Hand tight only. Do not use teflon tape.

PLUGGING IN

Check current of the outlet vs. voltage requirement of feeder with a voltage meter.

Turn feeder on and set Feed Rate Dial to desired GPD. Refer to the output chart of your specific model number.

Plug into a grounded power source.

OPTIONAL SPILL RECOVERY

Detach tube housing cover. Punch out one of the indented holes with a 7/32" punch.

Insert a length of 1/4" lead tube into the newly created hole and place the other end back into the solution tank.

CORRECT MOUNTING POSITION

Chemicals will drain back into solution tank reducing spillage.

Accessory Kit included with each Stenner pump:

3 connecting nuts 1/4" or 3/8"; 3 ferrules; 1 injection check valve 100 PSI; 1 weighted suction line strainer; 1 20" roll of suction/discharge tubing; 1 spare pump tube; 1 mounting bracket; 1 Stenner manual

How to Select the Hydrogen Peroxide Solution Strength and Pump Setting

The goal of a properly functioning hydrogen peroxide injection system is to have a peroxide residual of 0.2 to 0.6 ppm after sufficient contact time, before any carbon filter system. A hydrogen peroxide test kit can be easily used to measure the amount of peroxide in the water. Hydrogen peroxide acts rapidly and often no contact tank is needed for iron and odor removal, although having the contact tank insures the water is disinfected of bacteria as well.

It is not a good practice to have measureable peroxide residual in the household setting.

For most residential applications, we do recommend a carbon or other filter system that will break down the peroxide into oxygen and water, so no peroxide is in the final water being used for drinking or bathing. Peroxide will break down without any carbon or other filtration, if there is sufficient time after injection, before the water is used.

The peroxide levels desired can be accomplished by adjusting the hydrogen peroxide solution strength and setting the Stenner Feed Rate Control Dial until you achieve the desired residual.

In determining your metering pumps settings and solution strength, keep in mind that it is best to make up fresh solution once every 2 to 3 months. The hydrogen peroxide solution loses strength as it ages, and is sensitive to heat and light. Generally, keep solution tank out of the sun and use fresh solution regularly for best results.

Step One: Determine flow rate of the water stream you are injecting into, in Gallons per Minute (GPM)

1. Open any hose bib or faucet until pump turns on.
2. Close hose bib or faucet and let pump fill up pressure tank until it turns off.
3. Using a 1 or 5 gal. bucket, open faucet, collect and measure all water discharged until pump turns on.
4. When pump turns on, immediately close faucet and start timing pump cycle.
5. When pump turns off, record pump cycle time to refill pressure tank in seconds.
6. Divide the number of gallons collected in Step 3 by the number of seconds in Step 5.
7. Multiply the answer from Step 6 by 60.
8. The answer in Step 7 is the average pumping capacity of the pump in gallons per minute (GPM).

Step Two: How Much Hydrogen Peroxide Should Be Injected? Determine the parts per million of hydrogen peroxide you are trying to achieve in parts per million (PPM).

Hydrogen peroxide is injected in parts per million ('ppm') which is the same as saying milligrams per liter ('mg/L'). The amount of hydrogen peroxide to add depends on the "hydrogen peroxide demand" of the water. Hydrogen peroxide demand is the amount of various contaminants in the water that combine with the hydrogen peroxide after the hydrogen peroxide has been injected and sufficient contact time has occurred.

After the hydrogen peroxide has combined with the various contaminants such as bacteria, iron, manganese and odor, some level of uncombined or "free" hydrogen peroxide will exist. The goal is to have some small amount of peroxide, usually around 0.2 to 0.4 ppm of peroxide, up to a maximum of 1.0 ppm of hydrogen peroxide before filtration.

For bacteria you want to inject 1 – 2 ppm of hydrogen peroxide with approximately 5 to 10 minutes of contact time depending on temperature and turbidity (cloudiness) in the water. If the water is colder than 50F (10C) and/or the pH is higher than 7.5 you may need longer contact time or a higher residual.

For each part per million of iron or manganese generally you want to inject 1 ppm of hydrogen peroxide. For each 1.0 ppm of hydrogen sulfide gas (which causes the rotten egg smell in water) you want to inject 1 to 2 ppm of hydrogen peroxide. So say you have bacteria and 2.0 ppm of iron. For our example here, we will assume you want to inject 3 ppm of hydrogen peroxide.

Step Three: Determine what solution strength of peroxide to use

Assume you are using a peroxide solution of 7%. This means that this solution contains 7% active hydrogen peroxide. 7% peroxide is equal to 70,000 parts per million (PPM).

Regarding the solution strength: If you dilute the peroxide by adding 1 gallon of softened or purified water to 1 gallon of household peroxide, you end up with solution strength of approximately 3.5% or 35,000 ppm. In other words, 7% peroxide has a solution strength of 70,000 ppm, and if you dilute it with 1 gallon of water, you end up with solution strength of 35,000 ppm.

Regarding setting the output of the metering pump: You can vary the applied dosage of hydrogen peroxide by adjusting the peroxide solution strength and setting the Stenner Feed Rate Control Dial until you achieve the desired residual.

Next, use the formula below to compute the gallons per day to adjust the pump to end up with the desired applied dosage.

Stenner Pump Hydrogen Peroxide Installation & Startup Guide

The formula is simple, you only have to:

Multiply the Flow Rate (in gallons per minute) times the Applied Dosage in Parts Per Million Desired times 1440. Then divide by the Solution Strength in PPM that is being used.

Example: Assume that you have a well pump that has a flow rate of 12 gallons per minute (12 GPM) and that you want to inject 3.0 ppm of hydrogen peroxide into the water. You have decided to use solution strength of 35,000 ppm or 1 gallon of 7% peroxide to one gallon of purified or at least softened water. There are 1440 minutes in 24 hour period, and the formula will tell you **how many gallons of hydrogen peroxide you will use for every 24 hours the well pump runs.**

Example formula: 12 GPM x 3.0 PPM x 1440 and then divided by 35,000 = 1.48 Gallons Per Day

This means that you need a metering pump that has an output of 1.48 (round to 3) gallons per day. You can use the Stenner 45MHP2, which has a maximum output of 3 gallons per day, and set the pump at the 50% level, which is the number 5 on the dial.

Theoretically this will give you an applied hydrogen peroxide dose of 3.0 ppm, and you can adjust it later once you determine your actual peroxide residual. The Stenner pump has a Feed Rate Control Dial with numbers from 1 to 10.

Your well pump might run for 1 or 2 hours a day, but at this rate you would use 1.5 gallons of your hydrogen peroxide solution every 24 hours the pump runs. It is better to add more solution every one to two months as the solution can lose its potency over time.

Whatever your initial setting be sure to test for hydrogen peroxide and then adjust the pump and/or the solution strength to achieve your desired peroxide residual in your piping.

NOTE: if you find you do need to dilute the peroxide, use only distilled water, water from a reverse osmosis system, or at least softened water. Do not use untreated well water.

Maintenance: Check peroxide residual at least once per month and adjust Stenner pump and/or solution strength if needed. See the Stenner manual for routine maintenance. Change the pump tube every 1 – 3 years.

Winterizing: do not let the Stenner pump or tubing freeze. If you need to winterize, drain the hydrogen peroxide solution tank and discard hydrogen peroxide solution. Place the suction of the pump into a bucket of clean water and allow the pump to run until the Stenner pump is free of any hydrogen peroxide solution. Remove the suction from the water, and allow the pump to pump dry. Pump is ready to store.